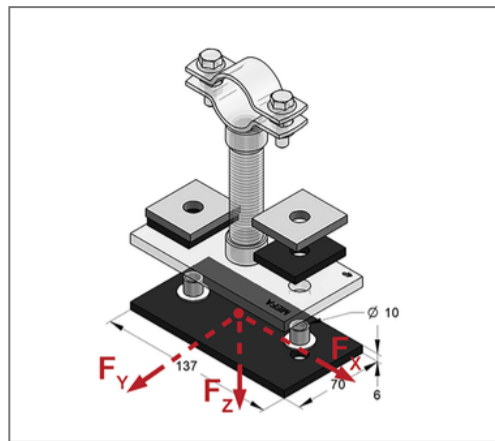
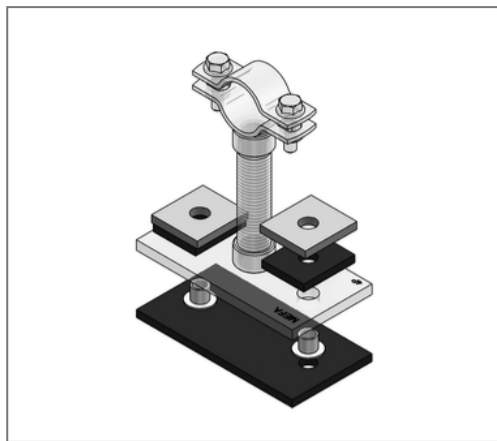


■ Sound-decoupling set Fixpoint Insulation plate 137x70x6 mm M10



Commercial details

Part no.	077034002
EAN/GTIN	4250928463302
Packing unit	1 pcs
Quantity unit	pcs
Weight	0,257 kg/pc
Product group	03-002
Price unit	1

QR code



Certification



Specification

Application	sound-decoupling set K suitable for Base plate area
Specification	Passend für Grundplatte Typ III

Product details

Dimension	137x70x6 mm
For thread	M10
Tightening torque	15 Nm
load F_x	8 kN
load F_y	8 kN
load F_z	16 kN

Technical data

Material	Rubber
Material type	EPDM
min. temperature resistance	-35 °C
max. temperature resistance	100 °C

Remark

Notice	Suitable for base plate type III
--------	----------------------------------