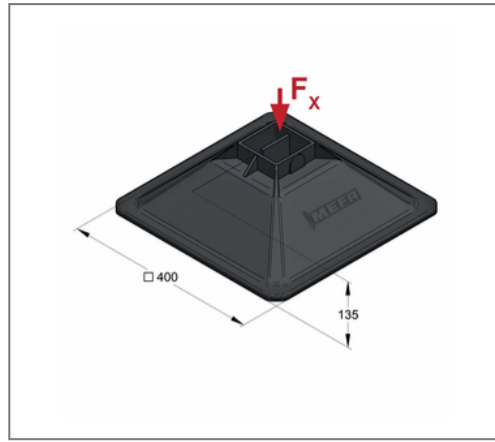
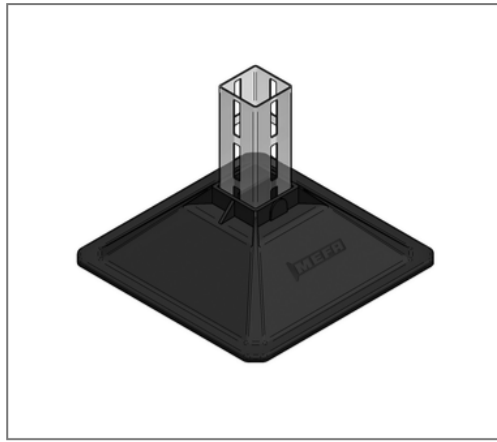


■ Rooftop holder CENTUM for XL 80



Commercial details

Part no.	166201001
EAN/GTIN	4250928463555
Packing unit	2 pcs
Quantity unit	pcs
Weight	3,01 kg/pc
Product group	14-166
Price unit	1

QR code



Specification

Application	for profile channel constructions onto rooftop e.g. area for ventilation ducts or roof racks.
Profile type	XL 80
Installation advise	the separation fleece is preventing from damage of roofing (membrane) through softening agents. The XL 80 square profile is inserted into the rooftop holder for mounting.

Technical data

Material	Plastic
Material type	HDPE

Product details

load F_x	10 kN
Length plate	400 mm
Width plate	400 mm
Temperature resistance	-40 - 80 °C