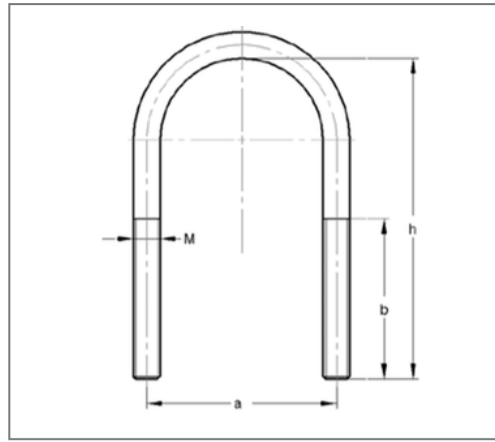


## ■ U-bolt 48,3 mm M8 total height 110 mm



### Commercial details

Part no.	050704801
EAN/GTIN	4250928459428
Packing unit	100 pcs
Quantity unit	pcs
Weight	0,0823 kg/pc
Product group	01-050
Price unit	1

### QR code



### Specification

Application area	for direct installation of piping onto steel structures and suitable for push-through-assembling into profile rails. Suitable for sprinkler
------------------	---

Specification	similar to DIN 3570
---------------	---------------------

### Technical data

Material	Steel
Material type	S235
Surface	galvanized

### Product details

Center distance a	57 mm
Height h	110 mm
Outside pipe diameter inch	1 1/2 inch
Thread M	M8
Length thread b	75 mm
Outer pipe diameter	48,3 mm

### Remark

Notice	without nut
--------	-------------