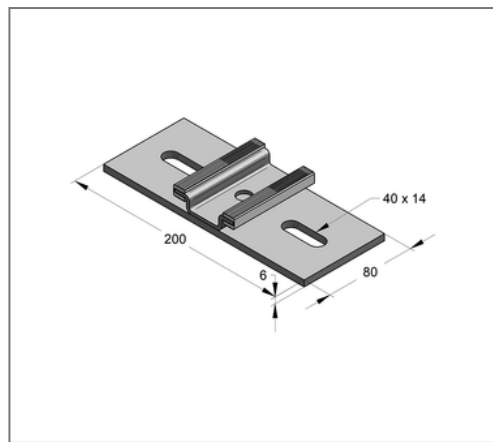
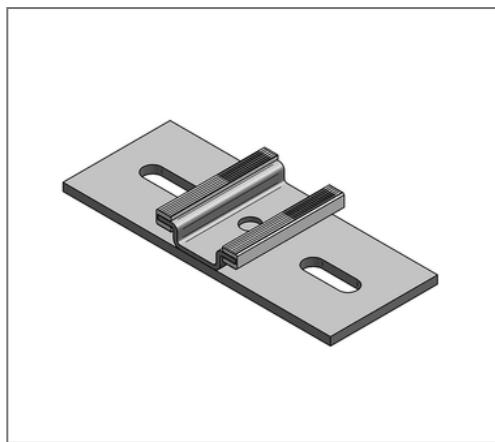
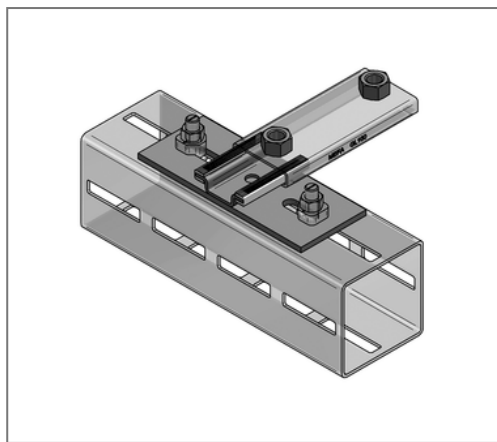


■ Slider axial for CENTUM Connection 2 x M16



Commercial details

Part no.	0770565-01
EAN/GTIN	4250928465962
Packing unit	1 pcs
Quantity unit	pcs
Weight	1,82 kg/pc
Product group	04-174
Price unit	1

QR code



Specification

Application Zur Aufnahme von axialen Längenausdehnungen
area bei stehenden, hängenden oder vertikal verlegten
Leitungen.

Technical data

Material	Steel
Material type	S235
Surface	galvanized
Material sliding stripe	Plastic
Material name sliding stripe	Polyamide 6
min. temperature resistance	-30 °C
max. temperature resistance	110 °C

Product details

Connection	2 x M16
Number of connections	2
Thread	M16
max. sliding distance axial	75 mm
load F_Z	3 kN