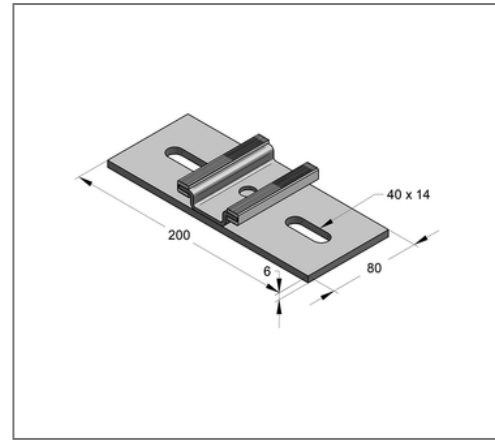
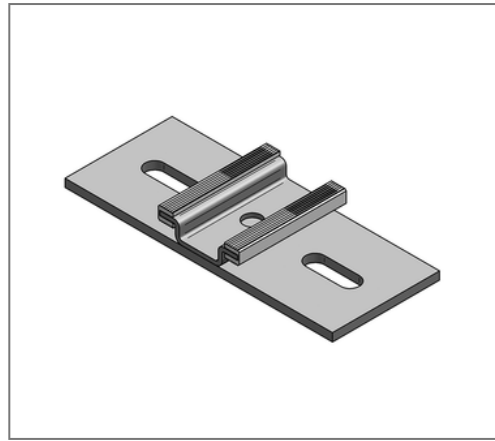
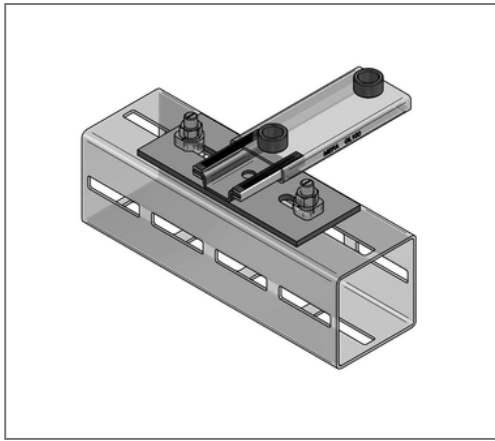


## ■ Slider axial for CENTUM Connection 2 x 1/2"



### Commercial details

Part no.	0770611-01
EAN/GTIN	4250928465979
Packing unit	1 pcs
Quantity unit	pcs
Weight	1,26 kg/pc
Product group	04-174
Price unit	1

### QR code



### Specification

Application Zur Aufnahme von axialen Längenausdehnungen  
area bei stehenden, hängenden oder vertikal verlegten  
Leitungen.

### Technical data

Material	Steel
Material type	S235
Surface	galvanized
Material sliding stripe	Plastic
Material name sliding stripe	Polyamide 6
min. temperature resistance	-30 °C
max. temperature resistance	110 °C

### Product details

Connection	2 x 1/2"
Number of connections	2
Thread	1/2"
max. sliding distance axial	75 mm
load $F_Z$	3 kN