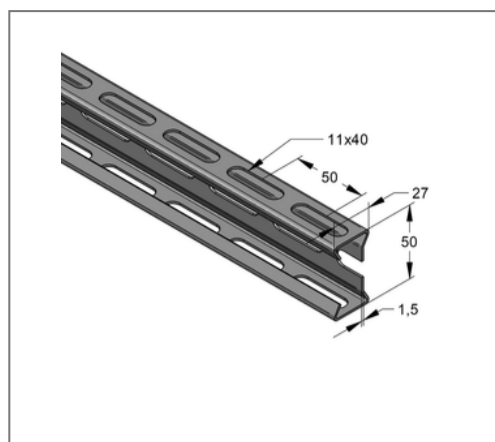


## ■ SIGNUM LP50 27 / 50 / 1,5 mm L= 6 m pre-galv.



### Commercial details

Part no.	0800202
EAN/GTIN	4250928467515
Packing unit	72 m
Bundle	576 m
Quantity unit	m
Weight	1,11 kg/m
Product group	08-985
Price unit	1

### QR code



### Certification



### Technical data

Material	Steel
Material type	S250
Surface	pre-galvanized

### Product details

Width	27 mm
Height	50 mm
Thickness	1,5 mm
Length	6 m
Elongated hole	11x40 mm
Area (least cross section of the profile rail)	1,29 cm <sup>2</sup>
Axial angular impulse $I_y$	5,01 cm <sup>4</sup>
Axial angular impulse $I_z$	1,26 cm <sup>4</sup>
Grid dimension	50 mm
Rail slot width	11 mm
Centroid distance $e_o$	2,5 cm
Centroid distance $e_u$	2,5 cm
Centroid distance $e_z$	1,54 cm
Elastic limit	250 N/mm <sup>2</sup>
Radius of inertia $i_y$	1,97 cm
Radius of inertia $i_z$	1,37 cm
Section modulus $W_y$	2,01 cm <sup>3</sup>
Section modulus $W_z$	0,87 cm <sup>3</sup>