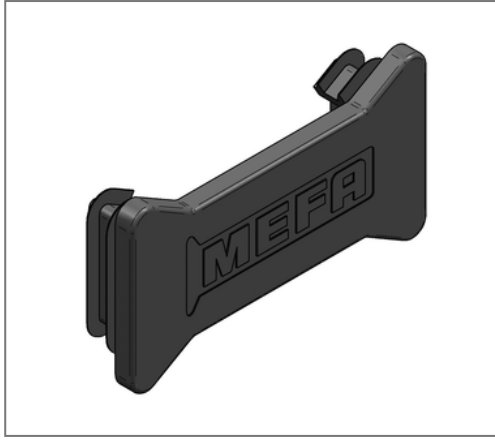


■ SIGNUM Protecting cap LP50 for profile LP50 PE black



Commercial details

Part no.	0809055
EAN/GTIN	4250928467522
Packing unit	50 pcs
Quantity unit	pcs
Weight	0,0040 kg/pc
Product group	08-985
Price unit	1

QR code



Technical data

Material	Plastic
Material type	PE
Colour	black

Specification

Profile type	LP50
--------------	------