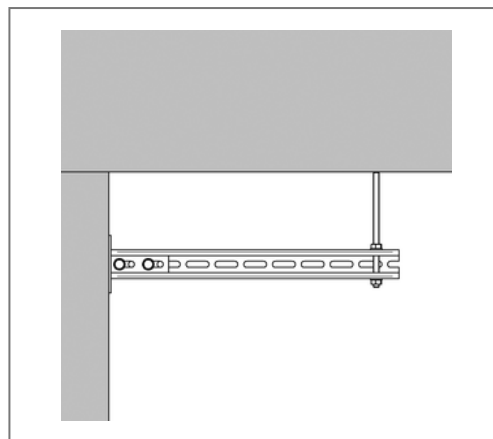
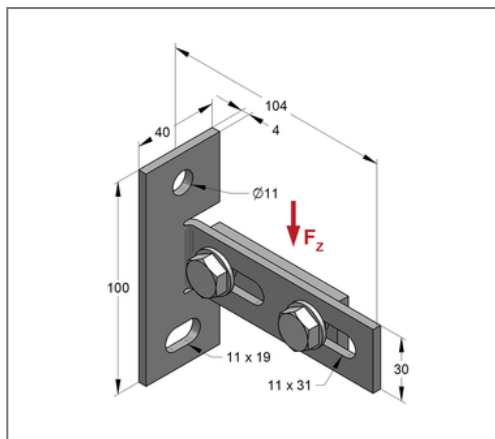
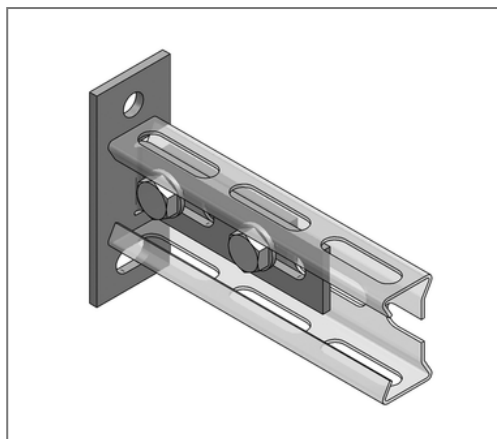


■ SIGNUM Holder LP50 for SIGNUM LP50 galv.



Commercial details

| | |
|---------------|---------------|
| Part no. | 0812037 |
| EAN/GTIN | 4250928467546 |
| Packing unit | 25 pcs |
| Quantity unit | pcs |
| Weight | 0,312 kg/pc |
| Product group | 08-985 |
| Price unit | 1 |

QR code



Specification

| | |
|--------------|--|
| Profile type | LP50 |
| Profile | SIGNUM |
| Delivery | Komplett vormontiert mit 2-Loch Gewindeplatte M10, Sechskantschraube M10 und Unterlegscheibe |

Technical data

| | |
|---------------|------------|
| Material | Steel |
| Material type | S235 |
| Surface | galvanized |

Product details

| | |
|-----------------|----------|
| load F_{Z} | 3 kN |
| Hole-Ø | 11 mm |
| Elongated hole | 11x19 mm |
| Length plate | 100 mm |
| Width plate | 40 mm |
| Plate thickness | 4 mm |