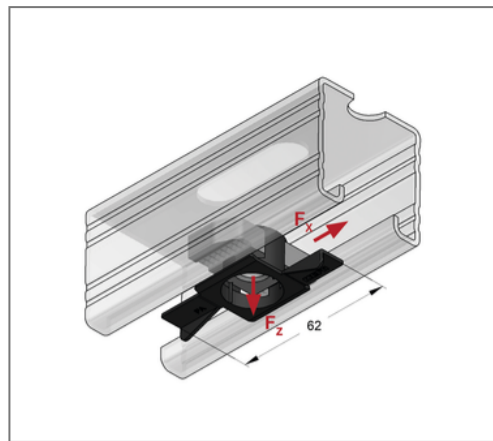
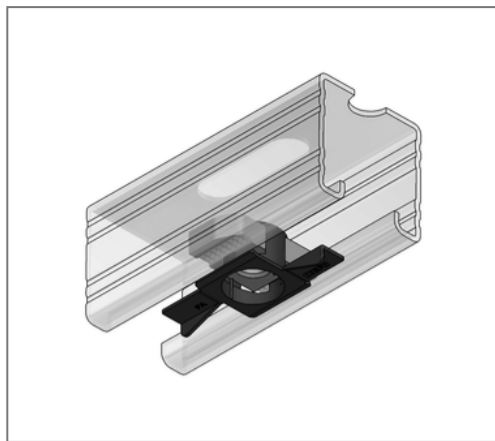
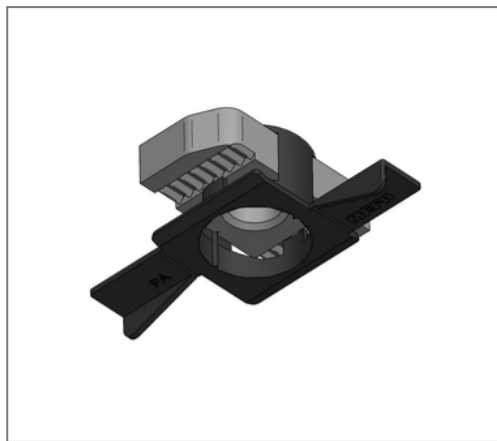


## ■ Stex 45 mounting plate MP-S M12 ZnNi



### Commercial details

Part no.	0818106
EAN/GTIN	4250928466594
Packing unit	50 pcs
Quantity unit	pcs
Weight	0,0422 kg/pc
Product group	02-081
Price unit	1

### QR code



### Certification



### Technical data

Material	Steel
Material type	S235
Surface	Zinc-Nickel
material cage	Plastic
materialname cage	Polyamide 6

### Product details

Loading capacity	see loads in the catalogue
Length	38 mm
Width	62 mm
Thread	M12
Profile type	45
Shape	pivoted