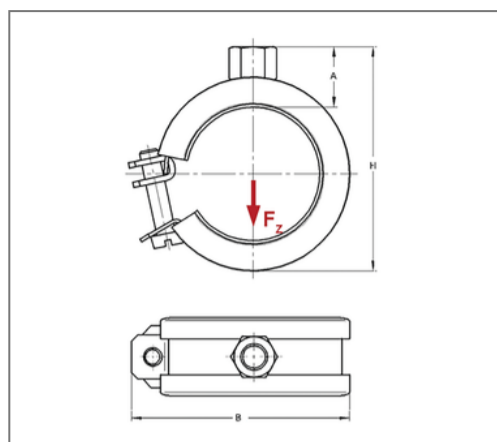


■ Pipe clamp Omnia 20x1 35 - 37 mm M10 TPE



Commercial details

Part no.	0381357
EAN/GTIN	4250928408013
Packing unit	100 pcs
Quantity unit	pcs
Weight	0,0740 kg/pc
Product group	01-038
Price unit	100

QR code



Certification



Specification

Application area	Pipe clamp for fixing pipes.
Specification	one-part
Connection	M10
Closure	Sleivable U-closure

Technical data

Material	Steel
Material type	DC01-A, DD11
Surface	galvanized
Insulation thickness	6 mm
Temperature resistance	-35 °C - 100 °C
Sound insulation lining	TPE

Product details

Connection height A	21 mm
Width B	61 mm
Colour sound insulation lining	black
Höhe H	62 mm
Material dimension	20x1 mm
load F_z	1 kN
Clamping range	35 - 37 mm
Outside pipe diameter inch	1 inch
Closure screw	M6