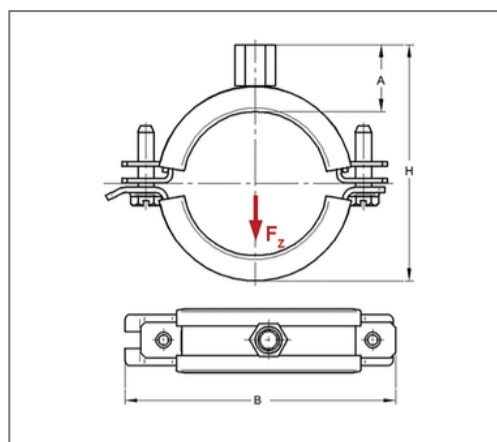
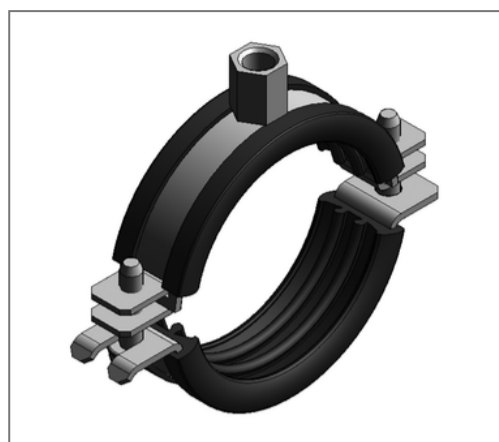


## ■ Pipe clamp Omnia MB 20x2 50 - 54 mm M8/M10 TPE



### Commercial details

Part no.	0398054
EAN/GTIN	4250928408617
Packing unit	50 pcs
Quantity unit	pcs
Weight	0,137 kg/pc
Product group	01-039
Price unit	100

### QR code



### Certification



### Specification

Application area	Pipe clamp for fixing pipes.
Specification	two-part
Connection	M8/M10
Closure	Sleuable U-closure

### Technical data

Material	Steel
Material type	DD11
Surface	galvanized
Insulation thickness	6 mm
Temperature resistance	-35 °C - 100 °C
Sound insulation lining	TPE

### Product details

Connection height A	24 mm
Width B	101 mm
Colour sound insulation lining	black
Höhe H	78 - 82 mm
Material dimension	20x2 mm
load $F_z$	1,6 kN
Clamping range	50 - 54 mm
Closure screw	M6

### Remark

Notice	suitable connection adapter see chapter 1
--------	---