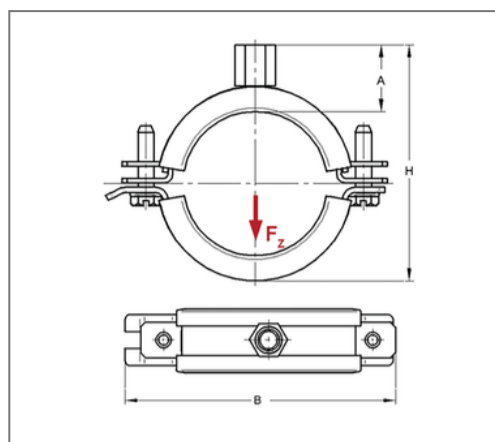


■ Pipe clamp Omnia MB 20x2 61 - 65 mm M8/M10 TPE



Commercial details

Part no.	0398064
EAN/GTIN	4250928408631
Packing unit	50 pcs
Quantity unit	pcs
Weight	0,154 kg/pc
Product group	01-039
Price unit	100

QR code



Certification



Specification

Application area	Pipe clamp for fixing pipes.
Specification	two-part
Connection	M8/M10
Closure	Sleuable U-closure

Technical data

Material	Steel
Material type	DD11
Surface	galvanized
Insulation thickness	6 mm
Temperature resistance	-35 °C - 100 °C
Sound insulation lining	TPE

Product details

Connection height A	24 mm
Width B	113 mm
Colour sound insulation lining	black
Höhe H	91 - 92 mm
Material dimension	20x2 mm
load F_z	1,6 kN
Clamping range	61 - 65 mm
Closure screw	val.Verschlusschraube.M6

Remark

Notice	Passende Anschlussadapter siehe Kapitel 1
--------	---