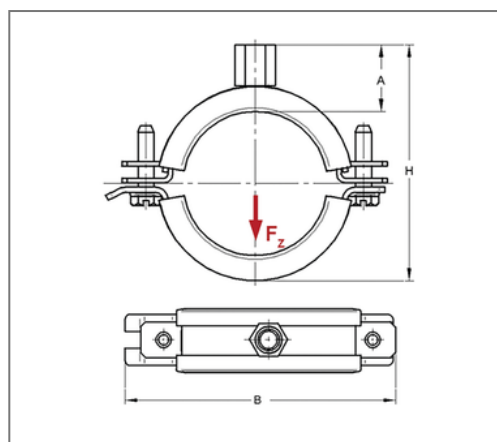


■ Pipe clamp Omnia MB 25x2,5 114 - 116 mm M8/M10 TPE



Commercial details

Part no.	0398116
EAN/GTIN	4250928408709
Packing unit	25 pcs
Quantity unit	pcs
Weight	0,316 kg/pc
Product group	01-039
Price unit	100

QR code



Certification



Specification

Application area	Pipe clamp for fixing pipes.
Specification	two-part
Connection	M8/M10
Closure	Sleuable U-closure

Technical data

Material	Steel
Material type	DD11
Surface	galvanized
Insulation thickness	6 mm
Temperature resistance	-35 °C - 100 °C
Sound insulation lining	TPE

Product details

Connection height A	25 mm
Width B	165 mm
Colour sound insulation lining	black
Höhe H	143 - 145 mm
Material dimension	25x2,5 mm
load F_z	1,8 kN
Clamping range	114 - 116 mm
Outside pipe diameter inch	4 inch
Closure screw	M6

Remark

Notice	Passende Anschlussadapter siehe Kapitel 1
--------	---