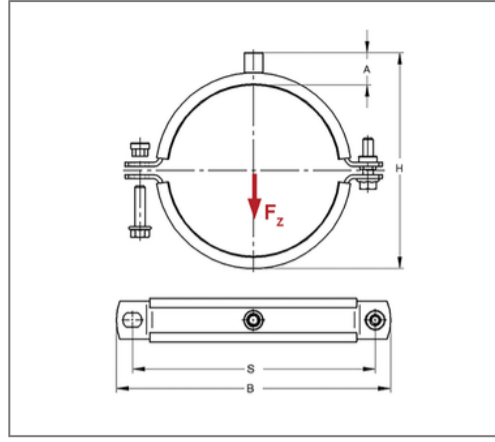
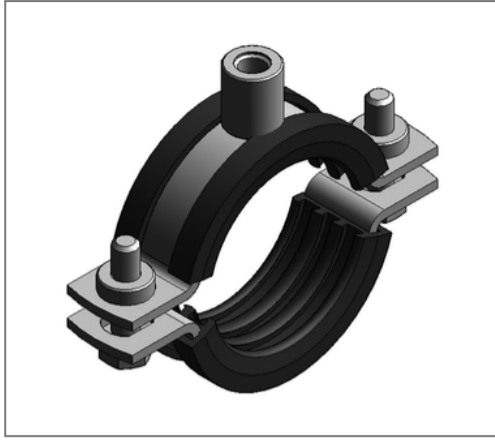


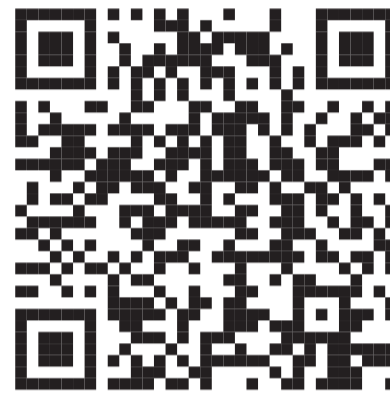
■ Pipe clamp Maxima PSM 25x3 26 - 30 mm M8/M10 TPE



Commercial details

Part no.	0068828
EAN/GTIN	4250928402387
Packing unit	1 pcs
Quantity unit	pcs
Weight	0,222 kg/pc
Product group	01-006
Price unit	100

QR code



Certification



Specification

Application area	Pipe clamp for fixing pipes.
Specification	two-part
Connection	M8/M10
Closure	Pendulum stick nuts

Technical data

Material	Steel
Material type	S235
Surface	galvanized
Insulation thickness	6 mm
Temperature resistance	-35 °C - 100 °C
Sound insulation lining	TPE

Product details

Center distance S	68 mm
Connection height A	30 mm
Width B	92 mm
Colour sound insulation lining	black
Höhe H	65 - 69 mm
Material dimension	25x3 mm
load Fz	1,5 kN
Clamping range	26 - 30 mm
Outside pipe diameter inch	3/4 inch
Closure screw	M8

Remark

Delivery time	5 working days ex works
Notice	With thread M16 or sleeve 1/2 Inch exchange and return are excluded.