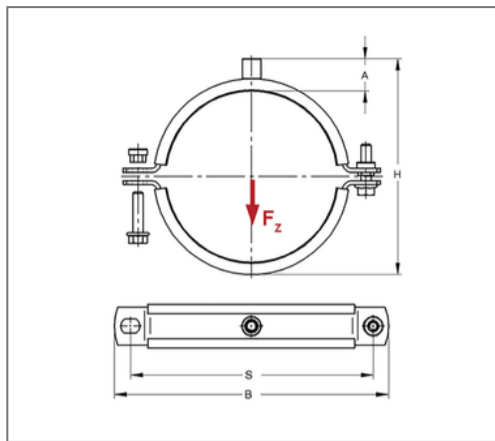


## ■ Pipe clamp Maxima PSM 25x3 38 - 45 mm M8/M10 TPE



### Commercial details

Part no.	0068880
EAN/GTIN	4250928402547
Packing unit	1 pcs
Quantity unit	pcs
Weight	0,251 kg/pc
Product group	01-006
Price unit	100

### QR code



### Certification



### Specification

Application area	Pipe clamp for fixing pipes.
Specification	two-part
Connection	M8/M10
Closure	Pendulum stick nuts

### Technical data

Material	Steel
Material type	S235
Surface	galvanized
Insulation thickness	6 mm
Temperature resistance	-35 °C - 100 °C
Sound insulation lining	TPE

### Product details

Center distance S	83 mm
Connection height A	30 mm
Width B	107 mm
Colour sound insulation lining	black
Höhe H	77 - 84 mm
Material dimension	25x3 mm
load $F_z$	1,5 kN
Clamping range	38 - 45 mm
Outside pipe diameter inch	1 1/4 inch
Closure screw	M8

### Remark

Delivery time	5 working days ex works
Notice	With thread M16 or sleeve 1/2 Inch exchange and return are excluded. Suitable connection adaptors see chapter 1.