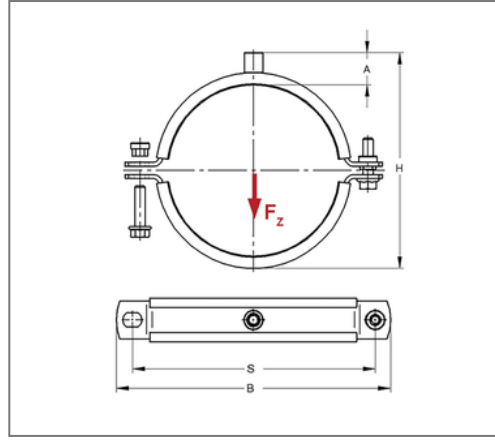
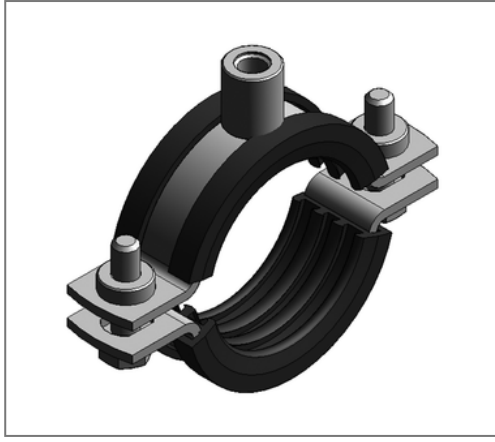


■ Pipe clamp Maxima PSM 25x3 53 - 57 mm M8/M10 TPE



Commercial details

Part no.	0068941
EAN/GTIN	4250928402677
Packing unit	1 pcs
Quantity unit	pcs
Weight	0,288 kg/pc
Product group	01-006
Price unit	100

QR code



Certification



Specification

Application area	Pipe clamp for fixing pipes.
Specification	two-part
Connection	M8/M10
Closure	Pendulum stick nuts

Technical data

Material	Steel
Material type	S235
Surface	galvanized
Insulation thickness	6 mm
Temperature resistance	-35 °C - 100 °C
Sound insulation lining	TPE

Product details

Center distance S	95 mm
Connection height A	30 mm
Width B	119 mm
Colour sound insulation lining	black
Höhe H	92 - 96 mm
Material dimension	25x3 mm
load F_z	1,5 kN
Clamping range	53 - 57 mm
Closure screw	M8

Remark

Delivery time	5 working days ex works
Notice	With thread M16 or sleeve 1/2 Inch exchange and return are excluded.