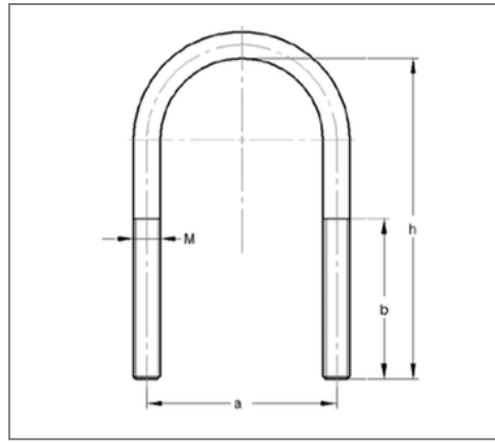


■ U-bolt 323,9 mm M20 total height 364 mm



Commercial details

Part no.	0507324
EAN/GTIN	4250928414380
Packing unit	1 pcs
Quantity unit	pcs
Weight	1,93 kg/pc
Product group	01-050
Price unit	1

QR code



Specification

Application area	for direct installation of piping onto steel structures and suitable for push-through-assembling into profile rails. Suitable for sprinkler
------------------	---------------------------------------------------------------------------------------------------------------------------------------------

Specification	similar to DIN 3570
---------------	---------------------

Technical data

Material	Steel
Material type	S235
Surface	galvanized

Product details

Center distance a	352 mm
Height h	364 mm
Outside pipe diameter inch	12 inch
Thread M	M20
Length thread b	70 mm
Outer pipe diameter	323,9 mm

Remark

Notice	without nut
--------	-------------