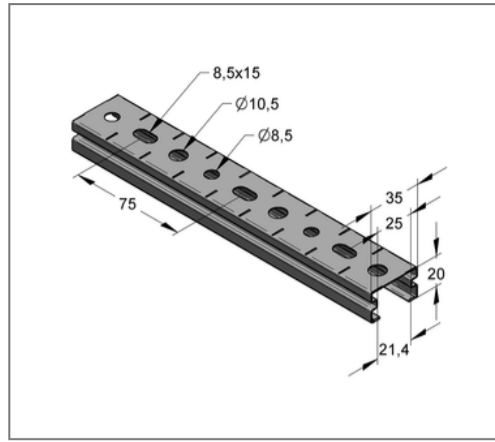
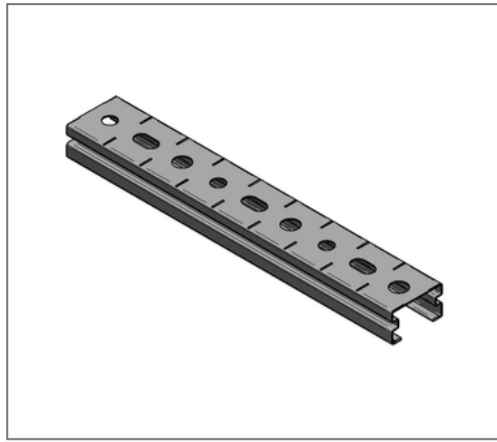


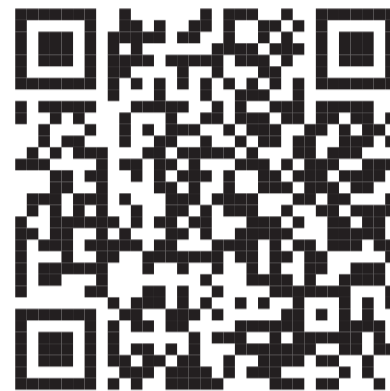
## ■ Profile rail C-profile Stex 35 / 20 / 0,8 mm L= 2 m pre-galv.



### Commercial details

Part no.	1273520
EAN/GTIN	4250928424419
Packing unit	12 m
Bundle	336 m
Quantity unit	m
Weight	0,640 kg/m
Product group	02-127
Price unit	1

### QR code



### Certification



### Specification

Application area	lightweight profile rail with quick connection option.
Specification	Marking for fit-up aid and to cut rails
Type of attachment	glide fast connection

### Technical data

Material	Steel
Material type	S250
Surface	pre-galvanized

### Product details

Width	35 mm
Height	20 mm
Thickness	0,8 mm
Length	2 m
Hole-Ø	8,5 mm
Hole diameter 1	8,5 mm
Hole diameter 2	10,5 mm
Elongated hole	8,5x15 mm
Area (least cross section of the profile rail)	0,74 cm²
Axial angular impulse $I_y$	0,4 cm⁴
Axial angular impulse $I_z$	1,53 cm⁴
Grid dimension	25 mm
Rail slot width	21 mm
Centroid distance $e_o$	0,97 cm
Centroid distance $e_u$	1,03 cm

## Remark

Notice	Full bundles, only
Elastic limit	250 N/mm <sup>2</sup>
Radius of inertia $i_y$	0,74 cm
Radius of inertia $i_z$	1,44 cm
Section modulus $W_y$	0,39 cm <sup>3</sup>
Section modulus $W_z$	0,87 cm <sup>3</sup>