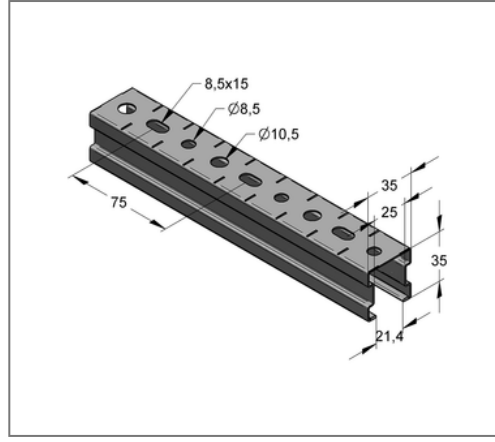
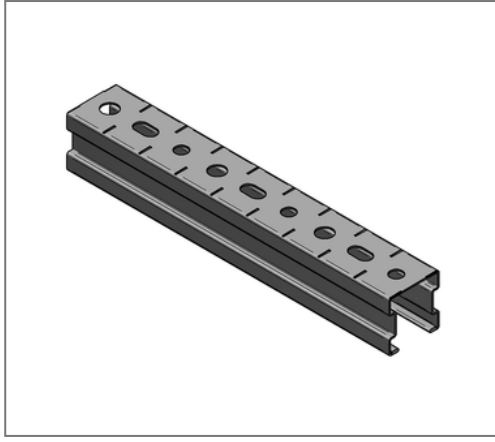


■ Profile rail C-profile Stex 35 / 35 / 1 mm L= 2 m pre-galv.



Commercial details

Part no.	1273538
EAN/GTIN	4250928424433
Packing unit	12 m
Bundle	252 m
Quantity unit	m
Weight	1,03 kg/m
Product group	02-127
Price unit	1

QR code



Certification



Specification

Application area	lightweight profile rail with quick connection option.
Specification	Marking for fitting and to cut rails
Type of attachment	glide fast connection

Technical data

Material	Steel
Material type	S250
Surface	pre-galvanized

Product details

Width	35 mm
Height	35 mm
Thickness	1 mm
Length	2 m
Hole-Ø	8,5 mm
Hole diameter 1	8,5 mm
Hole diameter 2	10,5 mm
Elongated hole	8,5x15 mm
Area (least cross section of the profile rail)	1,03 cm ²
Axial angular impulse I _y	1,86 cm ⁴
Axial angular impulse I _z	2,21 cm ⁴
Grid dimension	25 mm
Rail slot width	21 mm
Centroid distance e _o	1,72 cm
Centroid distance e _u	1,78 cm

Remark

Notice	Full bundles, only
Elastic limit	250 N/mm ²
Radius of inertia i_y	1,34 cm
Radius of inertia i_z	1,46 cm
Section modulus W_y	1,04 cm ³
Section modulus W_z	1,26 cm ³