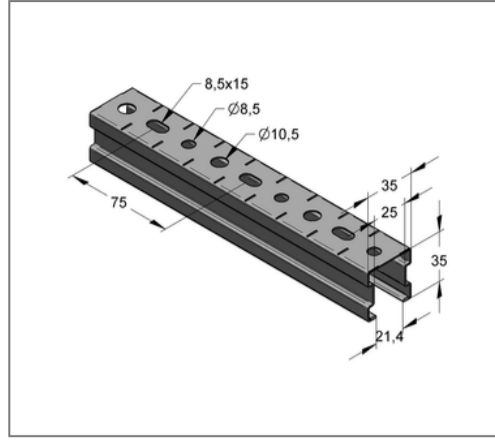
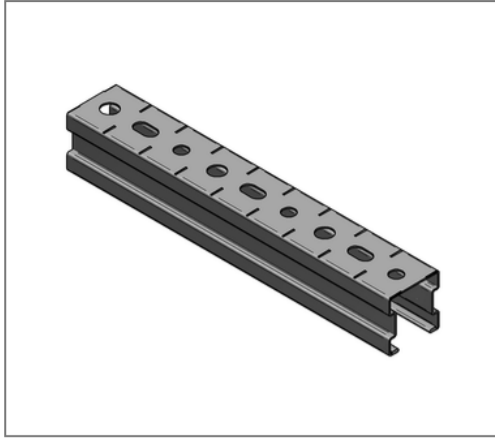


## ■ Profile rail C-profile Stex 35 / 35 / 1 mm L= 3 m pre-galv.



### Commercial details

Part no.	1273539
EAN/GTIN	4250928424440
Packing unit	36 m
Bundle	378 m
Quantity unit	m
Weight	1,03 kg/m
Product group	02-127
Price unit	1

### QR code



### Certification



### Specification

Application area	lightweight profile rail with quick connection option.
Specification	Marking for fitting and to cut rails
Type of attachment	glide fast connection

### Technical data

Material	Steel
Material type	S250
Surface	pre-galvanized

### Product details

Width	35 mm
Height	35 mm
Thickness	1 mm
Length	3 m
Hole-Ø	8,5 mm
Hole diameter 1	8,5 mm
Hole diameter 2	10,5 mm
Elongated hole	8,5x15 mm
Area (least cross section of the profile rail)	1,03 cm <sup>2</sup>
Axial angular impulse I <sub>y</sub>	1,86 cm <sup>4</sup>
Axial angular impulse I <sub>z</sub>	2,21 cm <sup>4</sup>
Grid dimension	25 mm
Rail slot width	21 mm
Centroid distance e <sub>o</sub>	1,72 cm
Centroid distance e <sub>u</sub>	1,78 cm

## Remark

Notice	Full bundles, only
Elastic limit	250 N/mm <sup>2</sup>
Radius of inertia $i_y$	1,34 cm
Radius of inertia $i_z$	1,46 cm
Section modulus $W_y$	1,04 cm <sup>3</sup>
Section modulus $W_z$	1,26 cm <sup>3</sup>