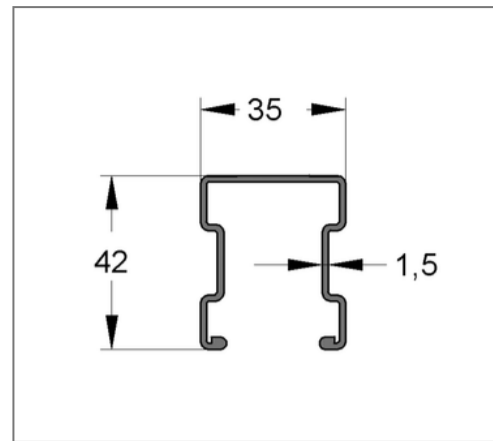
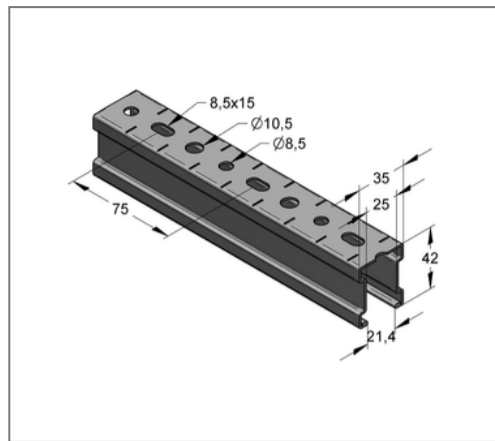
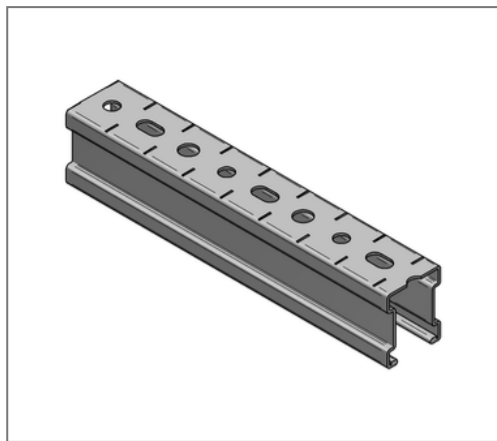


## ■ Profile rail C-profile Stex 35 / 42 / 1,5 mm L= 2 m pre-galv.



### Commercial details

|               |               |
|---------------|---------------|
| Part no.      | 12735422      |
| EAN/GTIN      | 4250928424457 |
| Packing unit  | 12 m          |
| Bundle        | 120 m         |
| Quantity unit | m             |
| Weight        | 1,63 kg/m     |
| Product group | 02-127        |
| Price unit    | 1             |

### QR code



### Certification



### Specification

|                    |  |
|--------------------|--|
| Application area   | lightweight profile rail with quick connection option. |
| Specification      | Marking for fit-up aid and to cut rails                |
| Type of attachment | glide fast connection                                  |

### Technical data

|               |                |
|---------------|----------------|
| Material      | Steel          |
| Material type | S250           |
| Surface       | pre-galvanized |

### Product details

|  |                      |
|--|----------------------|
| Width  | 35 mm                |
| Height   | 42 mm                |
| Thickness                                      | 1,5 mm               |
| Length   | 2 m                  |
| Hole-Ø   | 8,5 mm               |
| Hole diameter 1                                | 8,5 mm               |
| Hole diameter 2                                | 10,5 mm              |
| Elongated hole                                 | 8,5x15 mm            |
| Area (least cross section of the profile rail) | 1,99 cm <sup>2</sup> |
| Axial angular impulse I <sub>y</sub>           | 4,17 cm <sup>4</sup> |
| Axial angular impulse I <sub>z</sub>           | 4,05 cm <sup>4</sup> |
| Grid dimension                                 | 25 mm                |
| Rail slot width                                | 22 mm                |
| Centroid distance e <sub>o</sub>               | 1,97 cm              |
| Centroid distance e <sub>u</sub>               | 2,23 cm              |

## Remark

|                         |                       |
|-------------------------|-----------------------|
| Notice                  | Full bundles, only    |
| Elastic limit           | 250 N/mm <sup>2</sup> |
| Radius of inertia $i_y$ | 1,44 cm               |
| Radius of inertia $i_z$ | 1,43 cm               |
| Section modulus $W_y$   | 1,87 cm <sup>3</sup>  |
| Section modulus $W_z$   | 2,31 cm <sup>3</sup>  |