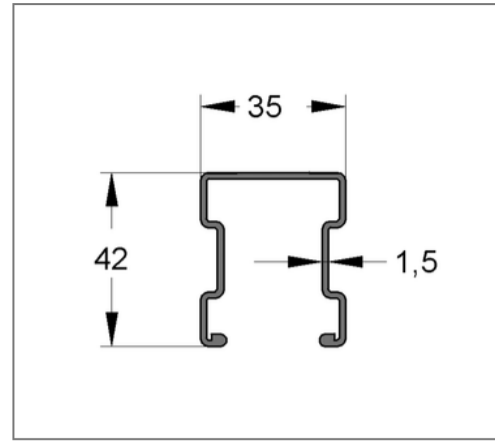
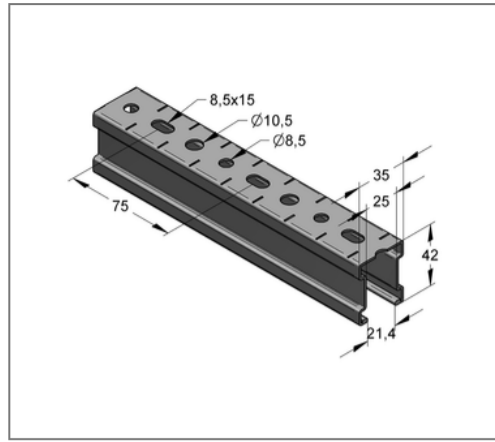
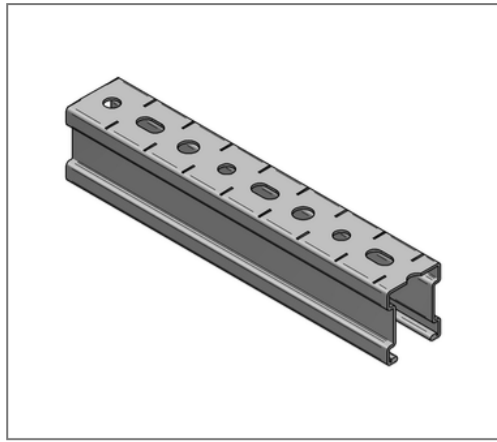


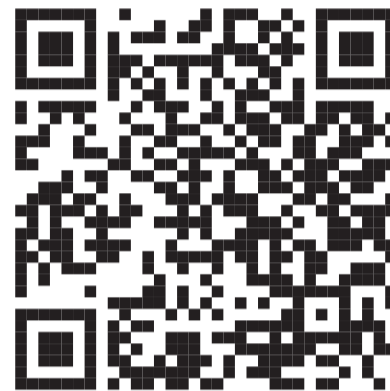
■ Profile rail C-profile Stex 35 / 42 / 1,5 mm L= 6 m pre-galv.



Commercial details

| | |
|---------------|---------------|
| Part no. | 12735426 |
| EAN/GTIN | 4250928424464 |
| Packing unit | 48 m |
| Bundle | 360 m |
| Quantity unit | m |
| Weight | 1,63 kg/m |
| Product group | 02-127 |
| Price unit | 1 |

QR code



Certification



Specification

| | |
|--------------------|--|
| Application area | lightweight profile rail with quick connection option. |
| Specification | Marking for fitting and to cut rails |
| Type of attachment | glide fast connection |

Technical data

| | |
|---------------|----------------|
| Material | Steel |
| Material type | S250 |
| Surface | pre-galvanized |

Product details

| | |
|--|----------------------|
| Width | 35 mm |
| Height | 42 mm |
| Thickness | 1,5 mm |
| Length | 6 m |
| Hole-Ø | 8,5 mm |
| Hole diameter 1 | 8,5 mm |
| Hole diameter 2 | 10,5 mm |
| Elongated hole | 8,5x15 mm |
| Area (least cross section of the profile rail) | 1,99 cm ² |
| Axial angular impulse I _y | 4,17 cm ⁴ |
| Axial angular impulse I _z | 4,05 cm ⁴ |
| Grid dimension | 25 mm |
| Rail slot width | 22 mm |
| Centroid distance e _o | 1,97 cm |
| Centroid distance e _u | 2,23 cm |

Remark

| | |
|-------------------------|-----------------------|
| Notice | Full bundles, only |
| Elastic limit | 250 N/mm ² |
| Radius of inertia i_y | 1,44 cm |
| Radius of inertia i_z | 1,43 cm |
| Section modulus W_y | 1,87 cm ³ |
| Section modulus W_z | 2,31 cm ³ |