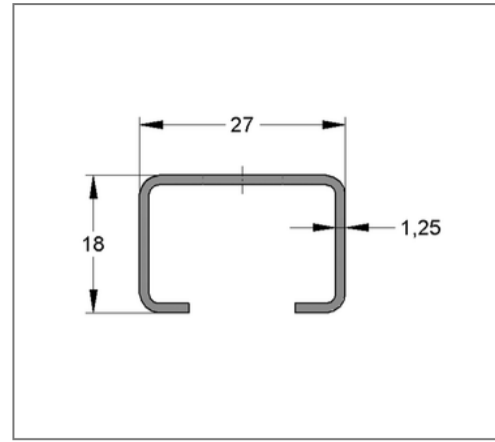
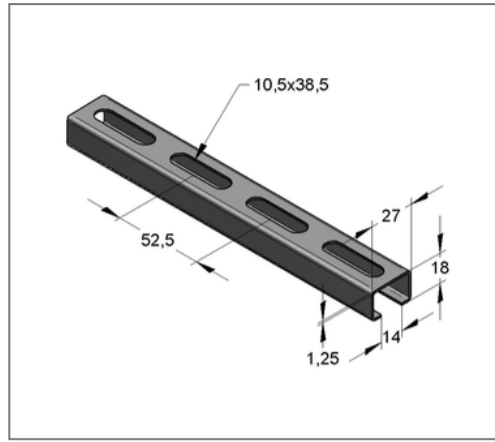


■ Profile rail C-profile 27 / 18 / 1,25 mm L= 2 m pre-galv.



Commercial details

Part no.	1240013
EAN/GTIN	4250928424259
Packing unit	20 m
Bundle	800 m
Quantity unit	m
Weight	0,600 kg/m
Product group	02-080
Price unit	1

QR code



Certification



Specification

Application area Lightweight profile rail

Technical data

Material	Steel
Material type	S250
Surface	pre-galvanized

Product details

Width	27 mm
Height	18 mm
Thickness	1,25 mm
Length	2 m
Elongated hole	10,5x38,5 mm
Area (least cross section of the profile rail)	0,68 cm ²
Axial angular impulse I_{Y}	0,29 cm ⁴
Axial angular impulse I_{Z}	0,90 cm ⁴
Grid dimension	52,5 mm
Rail slot width	14,0 mm
Centroid distance e_o	0,85 cm
Centroid distance e_u	0,95 cm
Centroid distance e_z	1,35 cm
Elastic limit	250 N/mm ²
Radius of inertia i_y	0,65 cm

Remark

Notice Full bundles, only

Product details

Radius of inertia i_z	1,15 cm
Section modulus W_Y	0,31 cm ³
Section modulus W_Z	0,67 cm ³