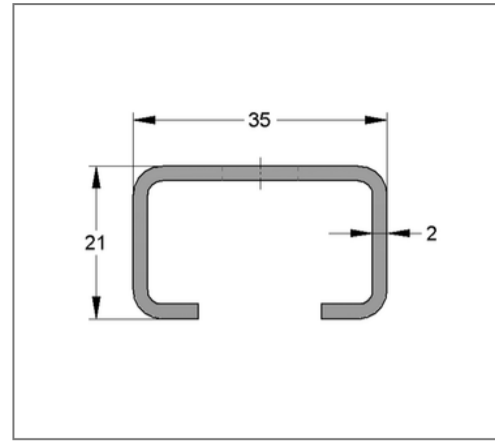
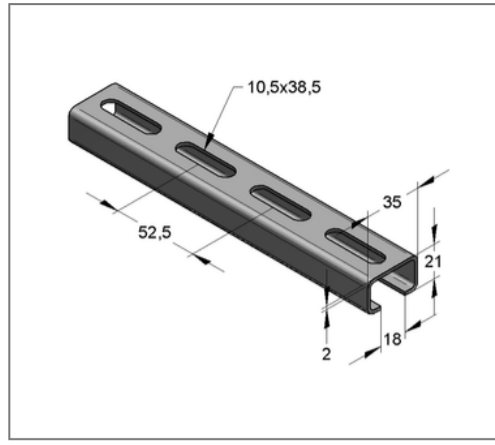
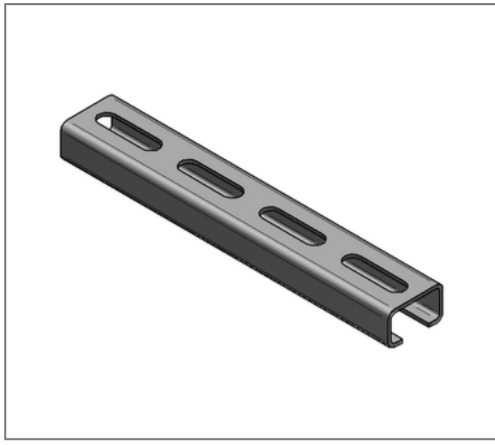


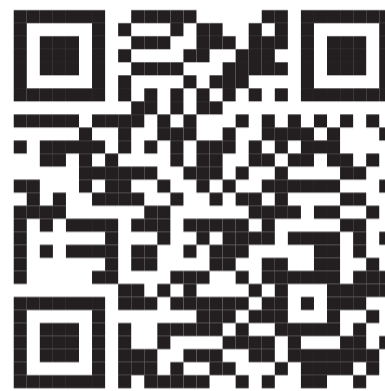
■ Profile rail C-profile 35 / 21 / 2 mm L= 6 m pre-galv.



Commercial details

Part no.	0800026
EAN/GTIN	4250928419163
Packing unit	48 m
Bundle	576 m
Quantity unit	m
Weight	1,16 kg/m
Product group	02-080
Price unit	1

QR code



Certification



Specification

Application area	Lightweight profile rail
------------------	--------------------------

Technical data

Material	Steel
Material type	S250
Surface	pre-galvanized

Product details

Width	35 mm
Height	21 mm
Thickness	2 mm
Length	6 m
Elongated hole	10,5x38,5 mm
Area (least cross section of the profile rail)	1,40 cm ²
Axial angular impulse I _Y	0,80 cm ⁴
Axial angular impulse I _Z	2,83 cm ⁴
Grid dimension	52,5 mm
Rail slot width	18,0 mm
Centroid distance e _o	0,96 cm
Centroid distance e _u	1,14 cm
Centroid distance e _z	1,75 cm
Elastic limit	250 N/mm ²
Radius of inertia i _y	0,76 cm

Remark

Notice	Full bundles, only
--------	--------------------

Product details

Radius of inertia i_z	1,42 cm
Section modulus W_Y	0,71 cm ³
Section modulus W_Z	1,61 cm ³