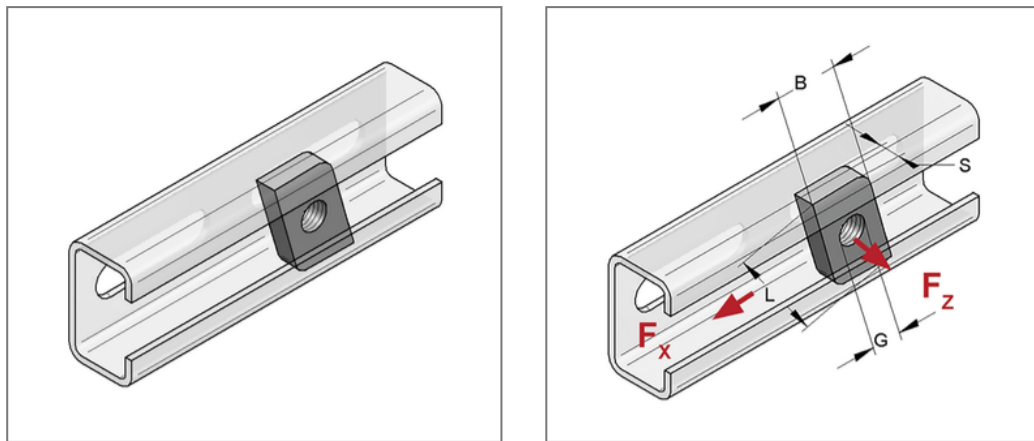


## ■ Threaded plate M12 38x17 galv.



### Commercial details

Part no.	0750093
EAN/GTIN	4250928417152
Packing unit	100 pcs
Quantity unit	pcs
Weight	0,0212 kg/pc
Product group	02-075
Price unit	100

### QR code



### Technical data

Material	Steel
Material type	S235
Surface	galvanized

### Product details

Loading capacity	see loads in the catalogue
Length L	35 mm
Width B	18 mm
Material thickness S	6 mm
Thread G	M12
Profile type	35, Stex 35
Shape	pivoted
Plate type	38x17