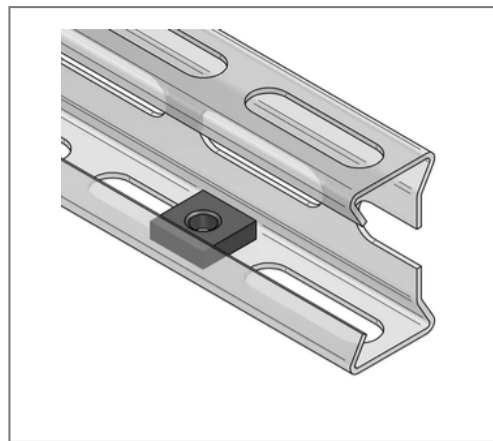
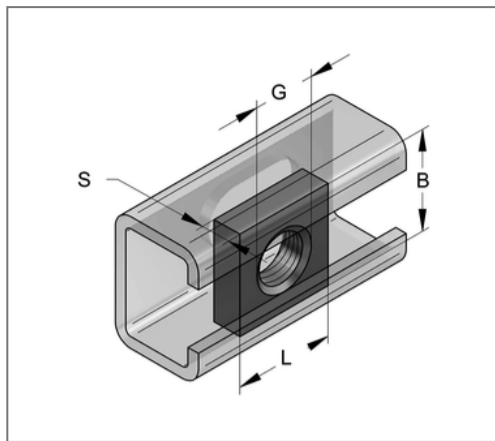
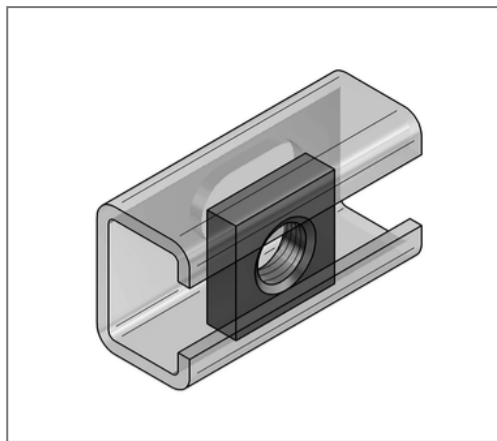


## ■ Threaded plate M10 square 17x17 mm galv.



### Commercial details

Part no.	0740039
EAN/GTIN	4250928417114
Packing unit	100 pcs
Quantity unit	pcs
Weight	0,0090 kg/pc
Product group	02-074
Price unit	100

### QR code



### Technical data

Material	Steel
Material type	S235
Surface	galvanized

### Product details

Loading capacity	see loads in the catalogue
Length L	17 mm
Width B	17 mm
Material thickness S	5 mm
Thread G	M10
Profile type	LP50
Shape	square