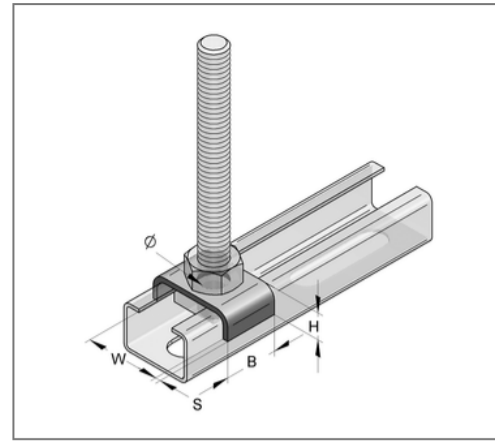
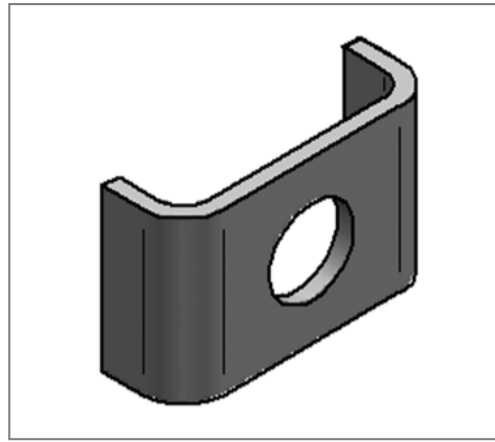
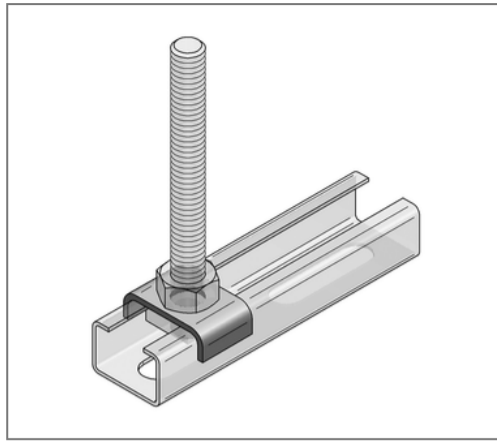


## ■ Profile holder C-profile 27 Hole 10,5 mm For thread M10



### Commercial details

Part no.	0809504
EAN/GTIN	4250928419347
Packing unit	100 pcs
Quantity unit	pcs
Weight	0,0129 kg/pc
Product group	02-081
Price unit	1

### QR code



### Specification

Application Connecting component for fixing two profile rails lying on top of each other or for rail mounting on the building structure. Prevents the profile rail from bending up.

Profile type 27

### Technical data

Material	Stahl
Material type	S235
Surface	galvanisch verzinkt

### Product details

For thread	M10
Hole-Ø	10,5 mm
Length W	32 mm
Width B	20 mm
Höhe H	8 mm
Material thickness S	2 mm