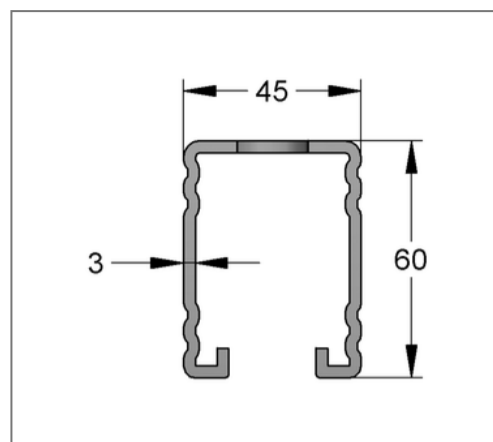
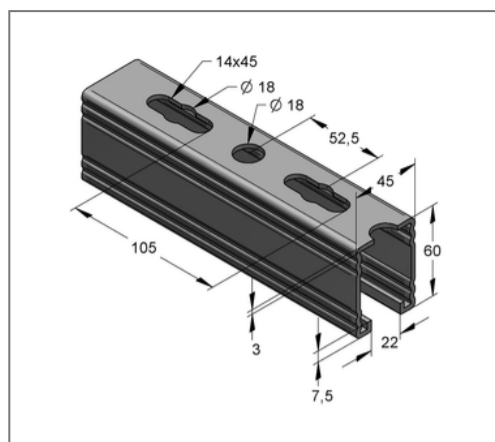
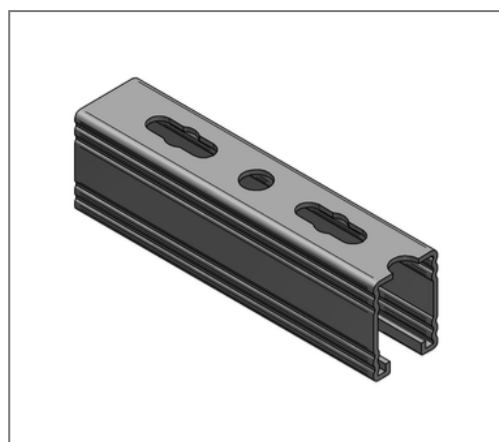


■ Profile rail C-profile 45 / 60 / 3 mm L= 6 m pre-galv.



Commercial details

Part no.	0810762
EAN/GTIN	4250928419453
Packing unit	30 m
Bundle	240 m
Quantity unit	m
Weight	4,06 kg/m
Product group	02-082
Price unit	1

QR code



Certification



Specification

Application area	Medium weight mounting rail with quick connection option.
Specification	C-profile rail, perforated and toothed
Type of attachment	form-locking connections and shear hole haunch connections

Technical data

Material	Steel
Material type	S250
Surface	pre-galvanized

Product details

Width	45 mm
Height	60 mm
Thickness	3 mm
Length	6 m
Hole-Ø	18,00 mm
Elongated hole	14x45 mm
Expansion elongated hole	18,0 mm
Area (least cross section of the profile rail)	4,52 cm ²
Axial angular impulse I_{Y}	18,67 cm ⁴
Axial angular impulse I_{Z}	17,15 cm ⁴
Grid dimension	105,0 mm
Rail slot width	22 mm
Centroid distance e_o	3,02 cm
Centroid distance e_u	2,98 cm
Centroid distance e_z	2,25 cm

Remark

Notice	Full bundles, only
Radius of inertia i_y	2,03 cm
Radius of inertia i_z	1,95 cm
Section modulus $W_{_Y}$	6,18 cm ³
Section modulus $W_{_Z}$	7,62 cm ³