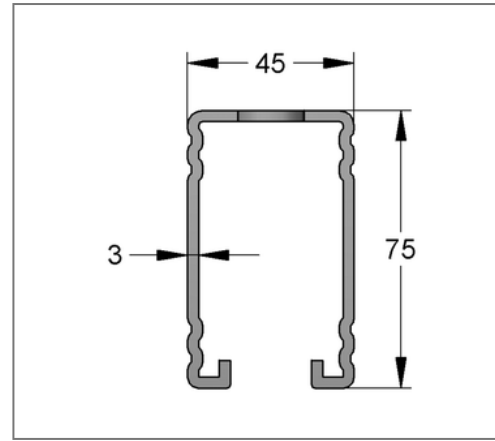
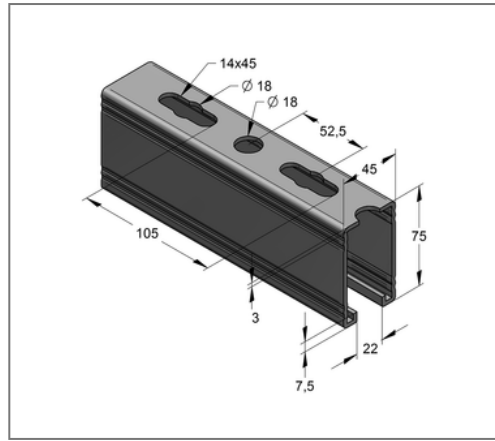
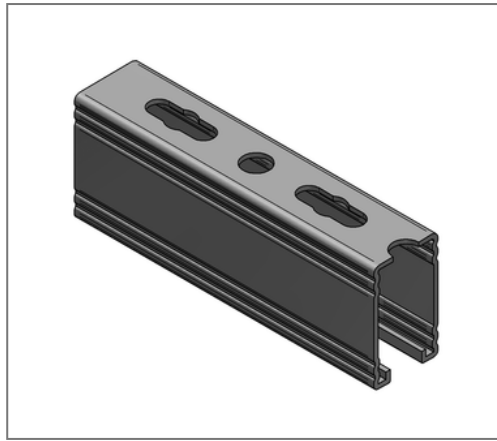


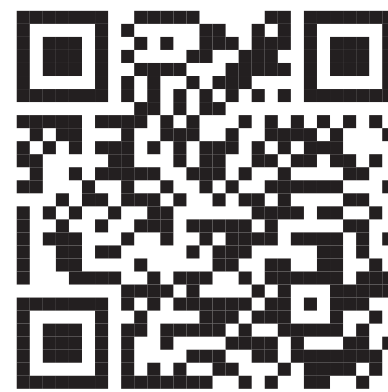
## ■ Profile rail C-profile 45 / 75 / 3 mm L= 6 m pre-galv.



### Commercial details

Part no.	08207562
EAN/GTIN	4250928420787
Packing unit	30 m
Bundle	180 m
Quantity unit	m
Weight	4,82 kg/m
Product group	02-082
Price unit	1

### QR code



### Certification



### Specification

Application area	Medium weight mounting rail with quick connection option.
Specification	C-profile rail, perforated and toothed
Type of attachment	form-locking connections and shear hole haunch connections

### Technical data

Material	Steel
Material type	S250
Surface	pre-galvanized

### Product details

Width	45 mm
Height	75 mm
Thickness	3 mm
Length	6 m
Hole-Ø	18,00 mm
Elongated hole	14x45 mm
Expansion elongated hole	18,0 mm
Area (least cross section of the profile rail)	5,66 cm <sup>2</sup>
Axial angular impulse Iy	35,36 cm <sup>4</sup>
Axial angular impulse Iz	21,90 cm <sup>4</sup>
Grid dimension	105,0 mm
Rail slot width	22 mm
Centroid distance eo	3,71 cm
Centroid distance eu	3,79 cm
Centroid distance ez	2,25 cm

## Remark

Notice	Full bundles, only
Radius of inertia $i_y$	2,50 cm
Radius of inertia $i_z$	1,96 cm
Section modulus $W_y$	9,34 cm <sup>3</sup>
Section modulus $W_z$	9,74 cm <sup>3</sup>