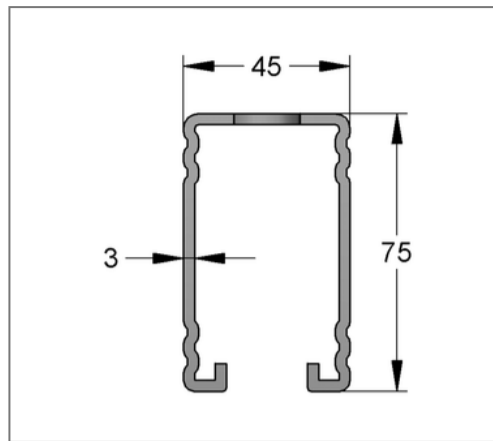
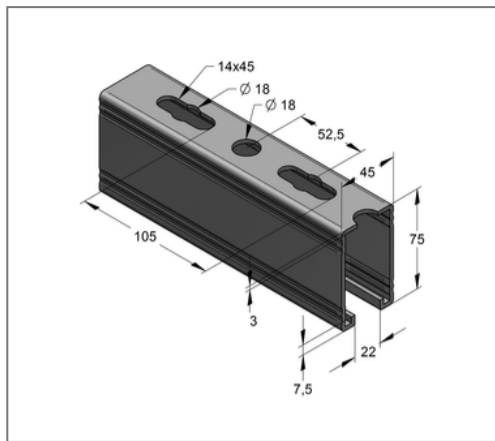
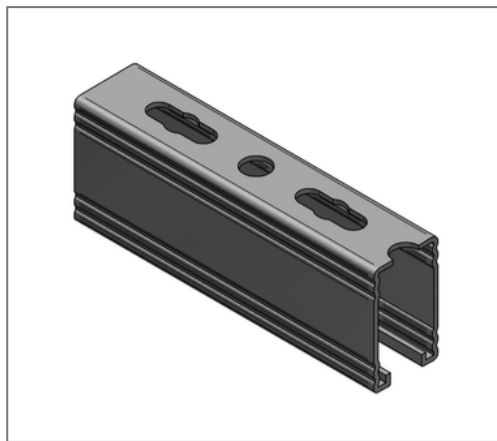


■ Profile rail C-profile 45 / 75 / 3 mm L= 6 m hot-dip galv.



Commercial details

Part no.	08207561
EAN/GTIN	4250928420770
Packing unit	30 m
Bundle	180 m
Quantity unit	m
Weight	5,15 kg/m
Product group	02-082
Price unit	1

QR code



Certification



Specification

Application area	Medium weight mounting rail with quick connection option.
Specification	C-profile rail, perforated and toothed
Type of attachment	form-locking connections and shear hole haunch connections

Technical data

Material	Steel
Material type	S235
Surface	hot-dip galvanized

Product details

Width	45 mm
Height	75 mm
Thickness	3 mm
Length	6 m
Hole-Ø	18,00 mm
Elongated hole	14x45 mm
Expansion elongated hole	18,0 mm
Area (least cross section of the profile rail)	5,66 cm ²
Axial angular impulse I _Y	35,36 cm ⁴
Axial angular impulse I _Z	21,90 cm ⁴
Grid dimension	105,0 mm
Rail slot width	22 mm
Centroid distance e _o	3,71 cm
Centroid distance e _u	3,79 cm
Centroid distance e _z	2,25 cm

Remark

Notice	Full bundles, only
Note	Teil ist nicht nach RAL geprüft
Radius of inertia i_z	1,96 cm
Section modulus $W_{_Y}$	9,34 cm ³
Section modulus $W_{_Z}$	9,74 cm ³