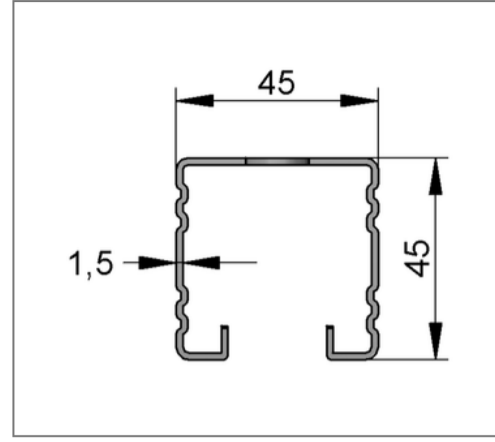
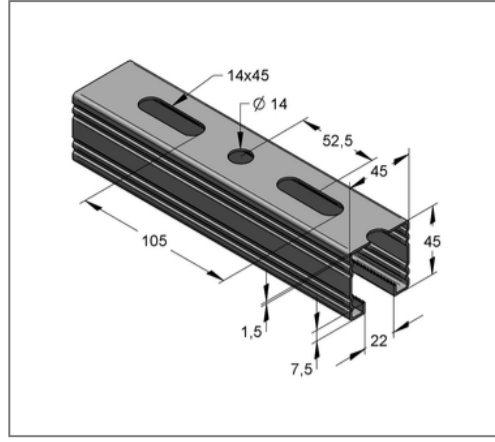
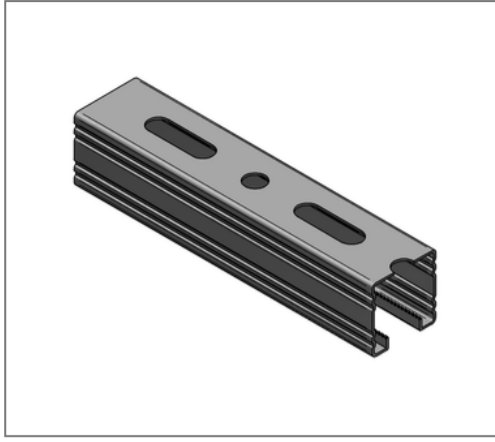


## ■ Profile rail C-profile 45 / 45 / 1,5 mm L= 6 m pre-galv.



### Commercial details

Part no.	082045615
EAN/GTIN	4250928448071
Packing unit	60 m
Bundle	360 m
Quantity unit	m
Weight	1,89 kg/m
Product group	02-082
Price unit	1

### QR code



### Certification



### Specification

Application area	Medium weight mounting rail with quick connection option.
Specification	C-profile rail, perforated and toothed
Type of attachment	form-locking connections and shear hole haunch connections

### Technical data

Material	Steel
Material type	S250
Surface	pre-galvanized

### Product details

Width	45 mm
Height	45 mm
Thickness	1,5 mm
Length	6 m
Hole-Ø	14,00 mm
Elongated hole	14x45 mm
Area (least cross section of the profile rail)	2,29 cm <sup>2</sup>
Axial angular impulse Iy	6,14 cm <sup>4</sup>
Axial angular impulse Iz	8,35 cm <sup>4</sup>
Grid dimension	52,5 mm
Rail slot width	22 mm
Centroid distance eo	2,23 cm
Centroid distance eu	2,27 cm
Centroid distance ez	2,25 cm
Elastic limit	250 N/mm <sup>2</sup>

## Remark

Notice	Full bundles, only
Radius of inertia $i_z$	1,91 cm
Section modulus $W_y$	2,71 cm <sup>3</sup>
Section modulus $W_z$	3,71 cm <sup>3</sup>