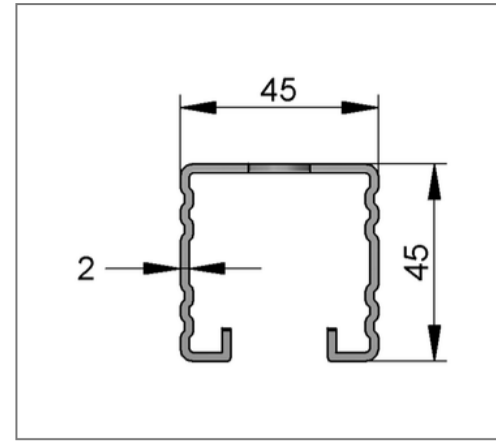
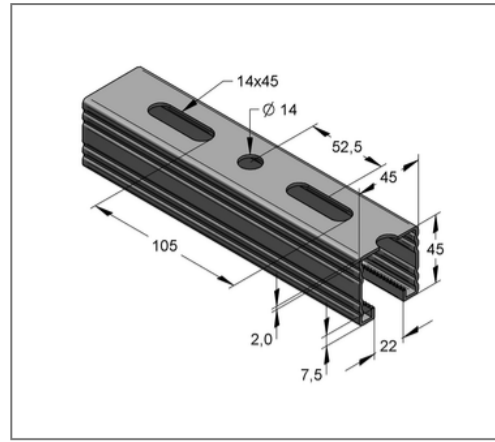
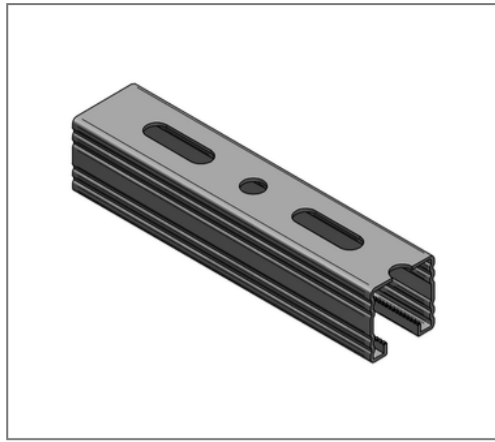


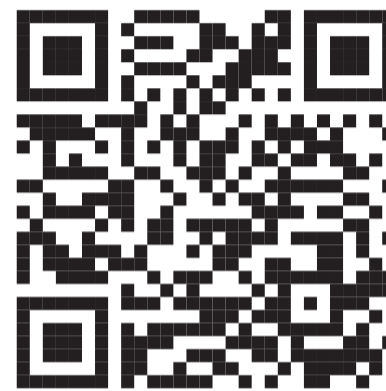
■ Profile rail C-profile 45 / 45 / 2 mm L= 2 m pre-galv.



Commercial details

Part no.	082045220
EAN/GTIN	4250928448040
Packing unit	10 m
Bundle	120 m
Quantity unit	m
Weight	2,45 kg/m
Product group	02-082
Price unit	1

QR code



Certification



Specification

Application area	Medium weight mounting rail with quick connection option.
Specification	C-profile rail, perforated and toothed
Type of attachment	form-locking connections and shear hole haunch connections

Technical data

Material	Steel
Material type	S250
Surface	pre-galvanized

Product details

Width	45 mm
Height	45 mm
Thickness	2 mm
Length	2 m
Hole-Ø	14,00 mm
Elongated hole	14x45 mm
Area (least cross section of the profile rail)	2,98 cm ²
Axial angular impulse I _y	7,79 cm ⁴
Axial angular impulse I _z	10,65 cm ⁴
Grid dimension	52,5 mm
Rail slot width	22 mm
Centroid distance e _o	2,24 cm
Centroid distance e _u	2,26 cm
Centroid distance e _z	2,25 cm
Elastic limit	250 N/mm ²

Remark

Notice	Full bundles, only
Radius of inertia i_z	1,89 cm
Section modulus W_Y	3,45 cm ³
Section modulus W_Z	4,73 cm ³