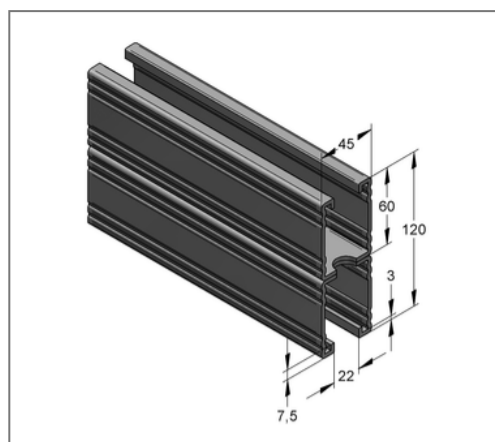
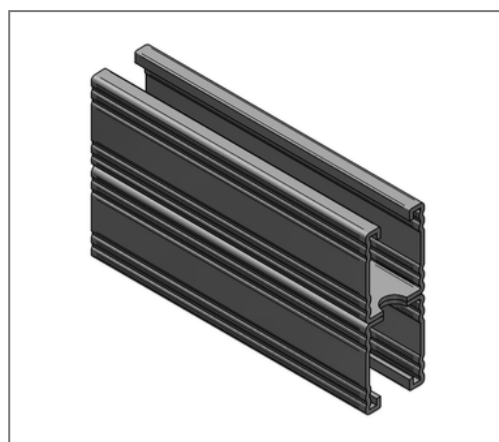


■ Profile rail C-profile double 45 / 120 / 3 mm L= 6 m hot-dip galv.



Commercial details

Part no.	0810833
EAN/GTIN	4250928419491
Packing unit	24 m
Bundle	120 m
Quantity unit	m
Weight	8,63 kg/m
Product group	02-082
Price unit	1

QR code



Certification



Specification

Application area	Medium weight mounting rail with quick connection option.
Specification	Toothed C-profile rail. double rails are perforated and welded.
Type of attachment	form-locking connections and shear hole haunch connections

Technical data

Material	Steel
Material type	S235
Surface	hot-dip galvanized

Product details

Width	45 mm
Height	120 mm
Thickness	3 mm
Length	6 m
Hole-Ø	18,00 mm
Elongated hole	14x45 mm
Expansion elongated hole	18,0 mm
Area (least cross section of the profile rail)	9,04 cm ²
Axial angular impulse I_y	119,76 cm ⁴
Axial angular impulse I_z	34,31 cm ⁴
Grid dimension	105,0 mm
Rail slot width	22 mm
Centroid distance e_o	6,00 cm
Centroid distance e_u	6,00 cm
Centroid distance e_z	2,25 cm

Remark

Notice	Full bundles, only
Radius of inertia i_y	3,64 cm
Radius of inertia i_z	1,95 cm
Section modulus W_y	19,96 cm ³
Section modulus W_z	15,25 cm ³