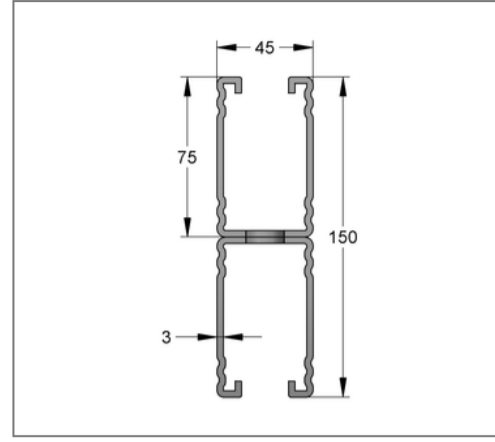
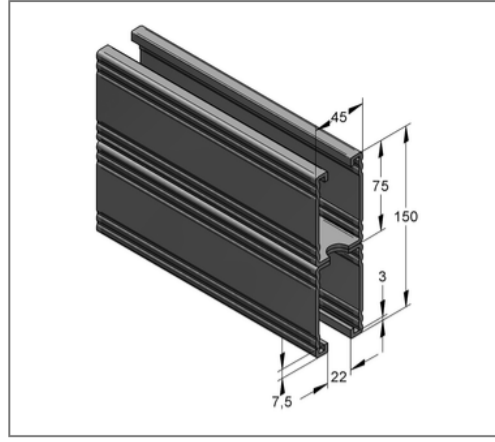
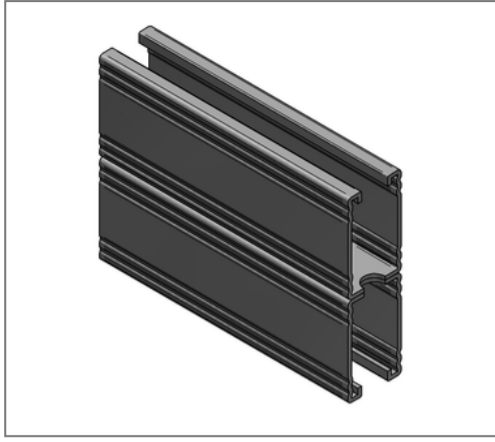


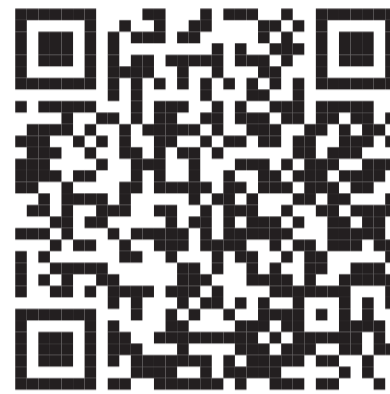
■ Profile rail C-profile double 45 / 150 / 3 mm L= 6 m pre-galv.



Commercial details

Part no.	08225062
EAN/GTIN	4250928420831
Packing unit	24 m
Bundle	96 m
Quantity unit	m
Weight	9,64 kg/m
Product group	02-082
Price unit	1

QR code



Certification



Specification

Application area	Medium weight mounting rail with quick connection option.
Specification	Toothed C-profile rail. double rails are perforated and welded.
Type of attachment	form-locking connections and shear hole haunch connections

Technical data

Material	Steel
Material type	S250
Surface	pre-galvanized

Product details

Width	45 mm
Height	150 mm
Thickness	3 mm
Length	6 m
Hole-Ø	18,00 mm
Elongated hole	14x45 mm
Expansion elongated hole	18,0 mm
Area (least cross section of the profile rail)	11,33 cm ²
Axial angular impulse ly	233,12 cm ⁴
Axial angular impulse lz	43,81 cm ⁴
Grid dimension	105,0 mm
Rail slot width	22 mm
Centroid distance eo	7,50 cm
Centroid distance eu	7,50 cm
Centroid distance ez	2,25 cm

Remark

Notice	Full bundles, only
Radius of inertia i_y	4,53 cm
Radius of inertia i_z	3,85 cm
Section modulus W_y	31,10 cm ³
Section modulus W_z	19,47 cm ³