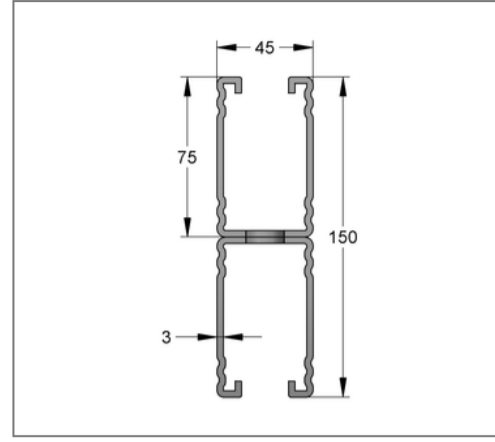
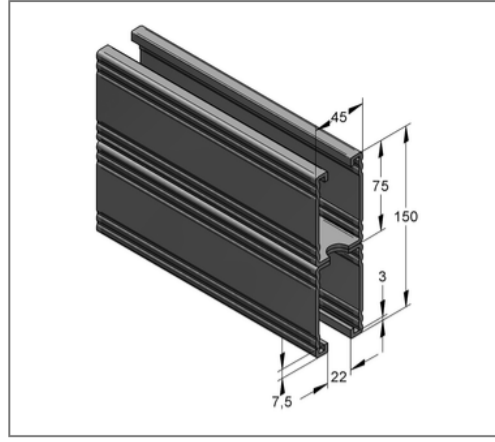
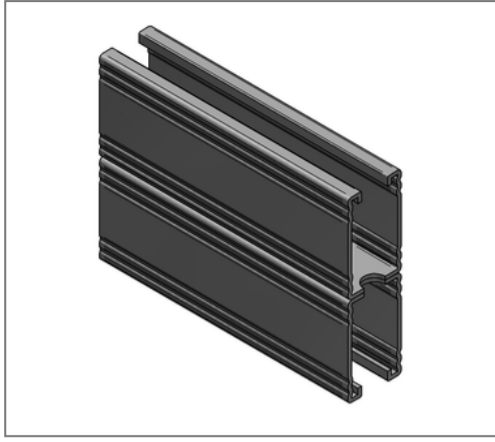


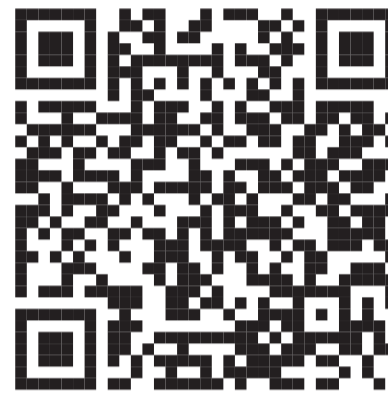
## ■ Profile rail C-profile double 45 / 150 / 3 mm L= 6 m hot-dip galv.



### Commercial details

Part no.	08225061
EAN/GTIN	4250928420824
Packing unit	24 m
Bundle	96 m
Quantity unit	m
Weight	10,24 kg/m
Product group	02-082
Price unit	1

### QR code



### Certification



### Specification

Application area	Medium weight mounting rail with quick connection option.
Specification	Toothed C-profile rail. double rails are perforated and welded.
Type of attachment	form-locking connections and shear hole haunch connections

### Technical data

Material	Steel
Material type	S235
Surface	hot-dip galvanized

### Product details

Width	45 mm
Height	150 mm
Thickness	3 mm
Length	6 m
Hole-Ø	18,00 mm
Elongated hole	14x45 mm
Expansion elongated hole	18,0 mm
Area (least cross section of the profile rail)	11,33 cm <sup>2</sup>
Axial angular impulse $I_y$	233,12 cm <sup>4</sup>
Axial angular impulse $I_z$	43,81 cm <sup>4</sup>
Grid dimension	105,0 mm
Rail slot width	22 mm
Centroid distance $e_o$	7,50 cm
Centroid distance $e_u$	7,50 cm
Centroid distance $e_z$	2,25 cm

## Remark

Notice	Full bundles, only
Note	not certified acc. to RAL
Radius of inertia $i_z$	3,85 cm
Section modulus $W_y$	31,10 cm <sup>3</sup>
Section modulus $W_z$	19,47 cm <sup>3</sup>