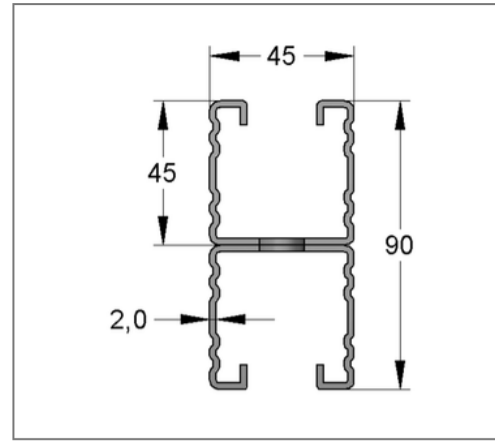
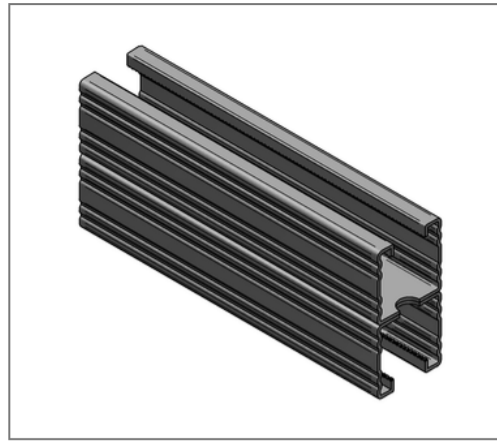
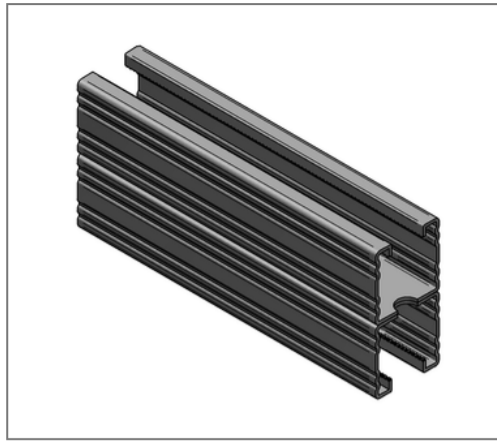


■ Profile rail C-profile double 45 / 90 / 2 mm L= 6 m pre-galv.



Commercial details

Part no.	0821901620
EAN/GTIN	4250928448125
Packing unit	24 m
Bundle	180 m
Quantity unit	m
Weight	4,90 kg/m
Product group	02-082
Price unit	1

QR code



Certification



Specification

Application area	Medium weight mounting rail with quick connection option.
Specification	Toothed C-profile rail. double rails are perforated and welded.
Type of attachment	form-locking connections and shear hole haunch connections

Technical data

Material	Steel
Material type	S250
Surface	pre-galvanized

Product details

Width	45 mm
Height	90 mm
Thickness	2 mm
Length	6 m
Hole-Ø	14,00 mm
Elongated hole	14x45 mm
Area (least cross section of the profile rail)	5,96 cm ²
Axial angular impulse I _Y	46,13 cm ⁴
Axial angular impulse I _Z	21,32 cm ⁴
Grid dimension	52,5 mm
Rail slot width	22 mm
Centroid distance e _o	4,50 cm
Centroid distance e _u	4,50 cm
Centroid distance e _z	2,25 cm
Elastic limit	250 N/mm ²

Remark

Notice	Full bundles, only
Radius of inertia i_z	1,89 cm
Section modulus W_{Y}	10,25 cm ³
Section modulus W_{Z}	9,47 cm ³