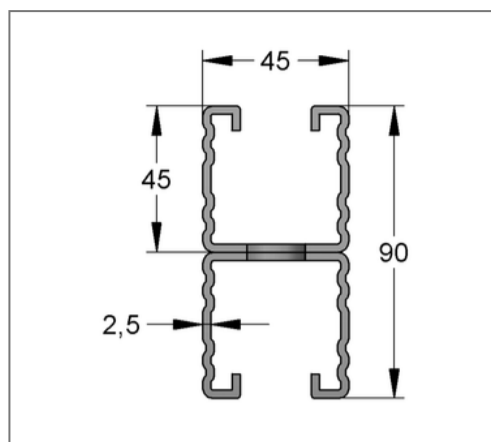
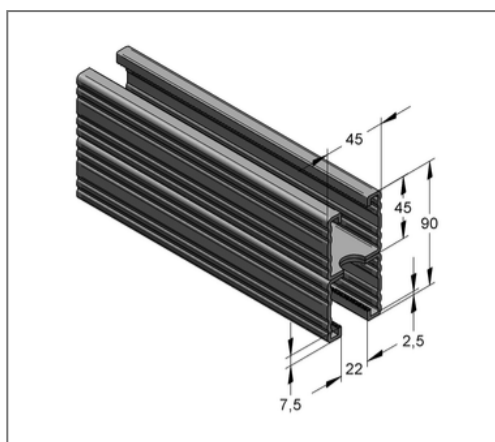


■ Profile rail C-profile double 45 / 90 / 2,5 mm L= 6 m hot-dip galv.



Commercial details

| | |
|---------------|---------------|
| Part no. | 0821902625 |
| EAN/GTIN | 4250928448149 |
| Packing unit | 24 m |
| Bundle | 180 m |
| Quantity unit | m |
| Weight | 6,35 kg/m |
| Product group | 02-082 |
| Price unit | 1 |

QR code



Certification



Specification

| | |
|--------------------|---|
| Application area | Medium weight mounting rail with quick connection option. |
| Specification | Toothed C-profile rail. double rails are perforated and welded. |
| Type of attachment | form-locking connections and shear hole haunch connections |

Technical data

| | |
|---------------|--------------------|
| Material | Steel |
| Material type | S235 |
| Surface | hot-dip galvanized |

Product details

| | |
|--|-----------------------|
| Width | 45 mm |
| Height | 90 mm |
| Thickness | 2,5 mm |
| Length | 6 m |
| Hole-Ø | 18,00 mm |
| Elongated hole | 14x45 mm |
| Expansion elongated hole | 18,0 mm |
| Area (least cross section of the profile rail) | 7,05 cm ² |
| Axial angular impulse I _y | 55,61 cm ⁴ |
| Axial angular impulse I _z | 25,37 cm ⁴ |
| Grid dimension | 52,5 mm |
| Rail slot width | 22 mm |
| Centroid distance e _o | 4,50 cm |
| Centroid distance e _u | 4,50 cm |
| Centroid distance e _z | 2,25 cm |

Remark

| | |
|-------------------------|-----------------------|
| Notice | Full bundles, only |
| Radius of inertia i_y | 2,81 cm |
| Radius of inertia i_z | 1,90 cm |
| Section modulus W_y | 12,35 cm ³ |
| Section modulus W_z | 11,27 cm ³ |