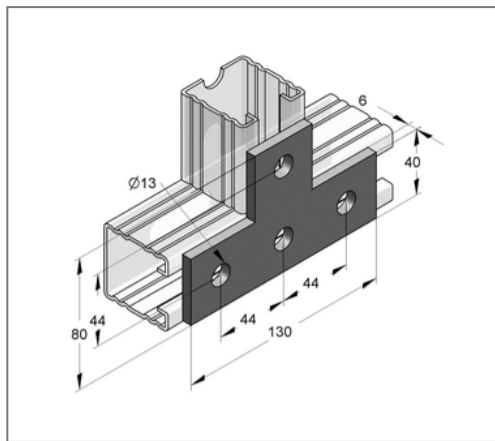
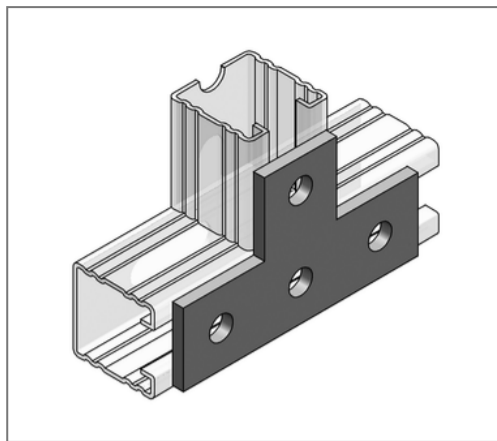


■ Flat connector T-shape for C-profile 45 Hole 13 mm



Commercial details

Part no.	0814315
EAN/GTIN	4250928419958
Packing unit	25 pcs
Quantity unit	pcs
Weight	0,301 kg/pc
Product group	02-081
Price unit	1

QR code



Specification

Application area	For butt joints in the rail plane.
Profile type	45

Technical data

Material	Steel
Material type	S235
Surface	galvanized

Product details

Width	80 mm
Length	130 mm
Hole-Ø	13 mm
Thickness	6 mm