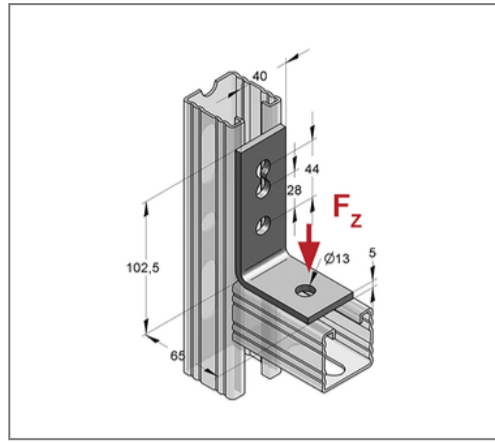
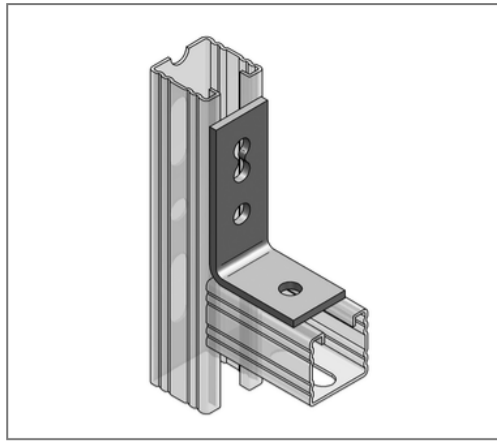


## ■ Angle 3-hole L C-profile 45 90 ° Wing 102,5 x 65 mm



### Commercial details

Part no.	08140300
EAN/GTIN	4250928419750
Packing unit	25 pcs
Quantity unit	pcs
Weight	0,234 kg/pc
Product group	02-081
Price unit	1

### QR code



### Specification

Application area	Angle components for connecting profile rails.
Profile	C-profile

### Technical data

Material	Steel
Material type	S235
Surface	galvanized

### Product details

Hole-Ø	13 mm
Profile type	45
Material thickness	5 mm
Width material	40 mm
Length wing 1	102,5 mm
Length wing 2	65 mm
load $F_z$ without profile	1 kN
load $F_z$ with profile	2,5 kN
Angle	90 °