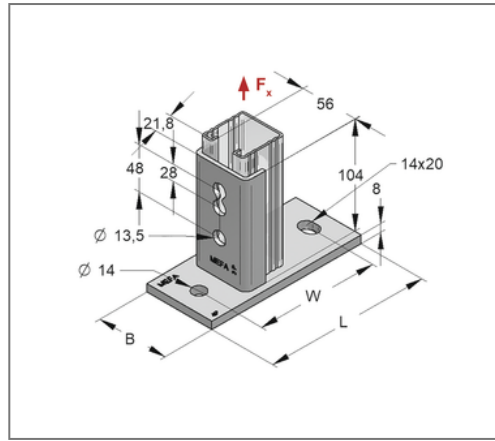
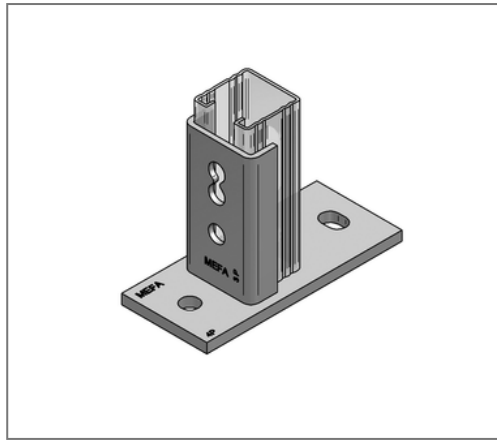


■ Holder C-profile 45 vertical for C-profile 45/60 - 45/75 hot-dip galv.



Commercial details

Part no.	08121802
EAN/GTIN	4250928447951
Packing unit	10 pcs
Quantity unit	pcs
Weight	1,01 kg/pc
Product group	02-081
Price unit	1

QR code



Certification



Specification

Application area	for fixation of profile rails on construction
Profile type	45/60 - 45/75
Profile	C-profile
Type of attachment	on the building structure

Technical data

Material	Steel
Material type	S235
Surface	hot-dip galvanized

Product details

load F_x	7,3 kN
Length plate L	160 mm
Width plate B	70 mm
Plate thickness	8 mm
Alignment of plate	vertical
Hole distance W	118 mm
max. profile height	75 mm

Remark

Notice For hot-dip galvanized parts, dimensional deviations up to 1 mm are possible.