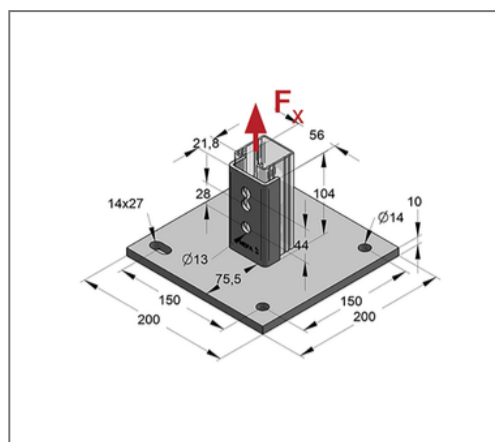
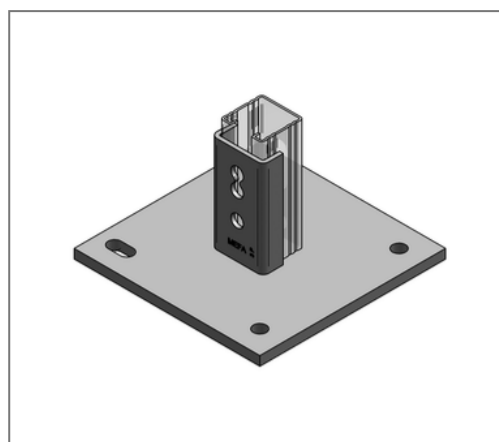


■ Holder C-profile 45 square for C-profile 45/26 - 45/150 hot-dip galv.



Commercial details

Part no.	08197000
EAN/GTIN	4250928420688
Packing unit	5 pcs
Quantity unit	pcs
Weight	3,48 kg/pc
Product group	02-081
Price unit	1

QR code



Certification



Specification

Application area	for fixation of profile rails on construction
Profile type	45/26 - 45/150
Profile	C-profile
Type of attachment	ceiling

Technical data

Material	Steel
Material type	S235
Surface	hot-dip galvanized

Product details

load F_x	10 kN
Length plate L	200 mm
Width plate B	200 mm
Plate thickness	10 mm
Alignment of plate	square
Hole distance W	150 mm
max. profile height	150 mm
Suitable for	Holorib composite slab

Remark

Notice For hot-dip galvanized parts, dimensional deviations up to 1 mm are possible.