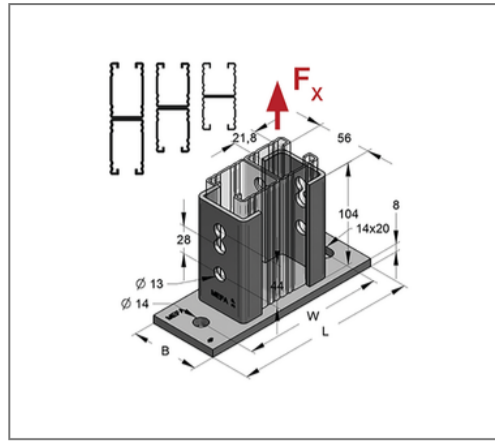
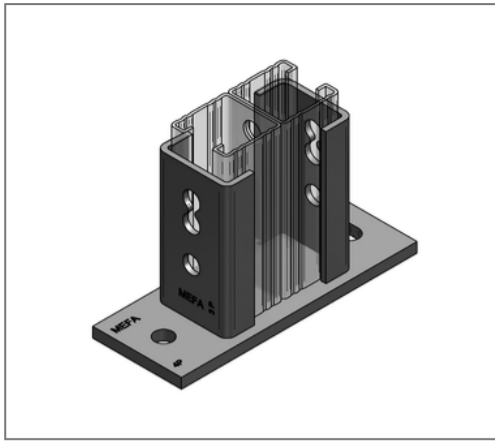


■ Holder Double C-profile 45 vertical for Double-C-profile 45/150 hot-dip galv.



Commercial details

Part no.	08121452
EAN/GTIN	4250928419583
Packing unit	5 pcs
Quantity unit	pcs
Weight	1,68 kg/pc
Product group	02-081
Price unit	1

QR code



Certification



Specification

Application area	for fixation of profile rails on construction
Profile type	45/150
Profile	Double-C-profile
Type of attachment	on the building structure

Technical data

Material	Steel
Material type	S235
Surface	hot-dip galvanized

Product details

load F_{X}	13,5 kN
Length plate L	246 mm
Width plate B	70 mm
Plate thickness	8 mm
Alignment of plate	vertical
Hole distance W	204 mm
max. profile height	150 mm

Remark

Notice Bei feuerverzinkten Teilen sind Maßabweichungen bis zu 1 mm möglich.