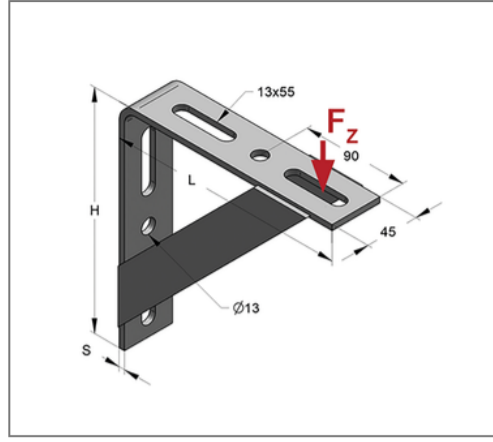
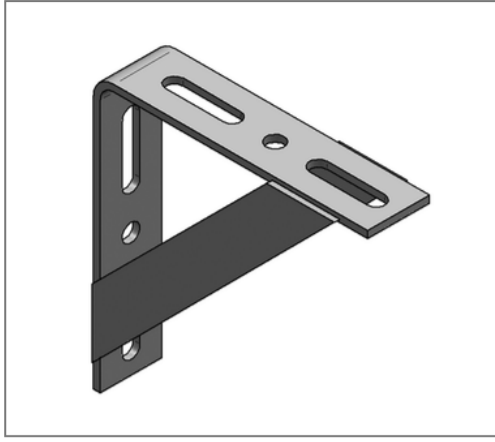


■ Angle bracket with 2 braces 200 x 200 x 5 mm



Commercial details

Part no.	0814083
EAN/GTIN	4250928419804
Packing unit	15 pcs
Quantity unit	pcs
Weight	1,06 kg/pc
Product group	02-081
Price unit	1

QR code



Specification

Application area	Angle bracket with two struts, suitable for mounting rails or for wall mounting.
------------------	--

Technical data

Material	Steel
Material type	S235
Surface	galvanized

Product details

Höhe H	200 mm
Length L	200 mm
Thickness S	5 mm
load Fz	5 kN
Load at length	150 mm