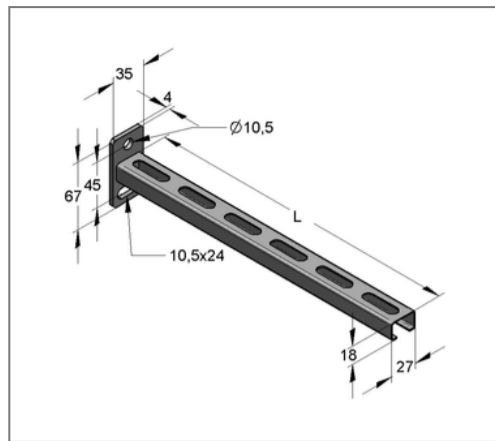


■ Console C-profile 27/18 L= 157,5 mm Plate vertical galv.



Commercial details

Part no.	18010158
EAN/GTIN	4250928437419
Packing unit	25 pcs
Quantity unit	pcs
Weight	0,159 kg/pc
Product group	02-083
Price unit	1

QR code



Specification

Application area	Console for the production of cantilever structures for the support of suspended and standing pipe loads.
------------------	---

Technical data

Material	Steel
Surface	galvanized

Product details

Width plate	35 mm
Length plate	67 mm
Hole distance	45 mm
Plate thickness	4 mm
Width profile	27 mm
Profile height	18 mm
Length console L	157,5 mm
load F1	0,47 kN
load F2	0,23 kN
load q0	2,94 kN/m
Profile thickness	1,25 mm